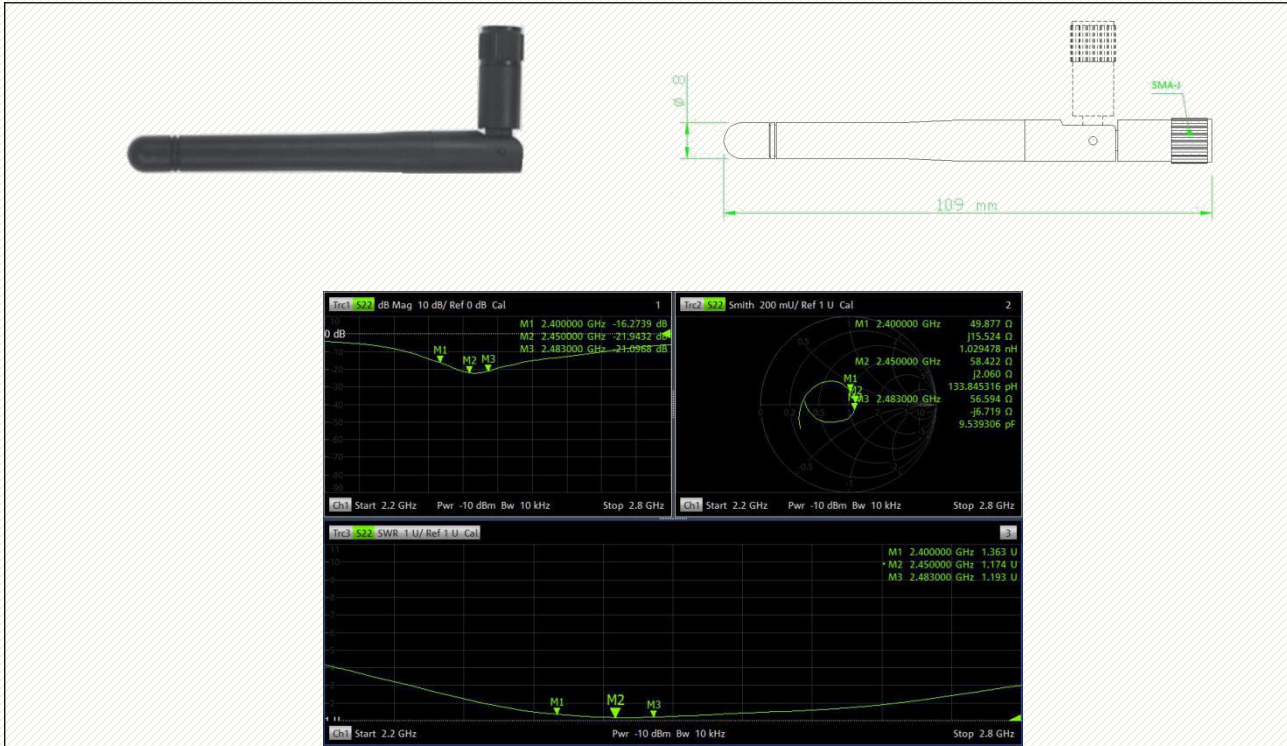


产品/Product: **H108 Rubber SMA-J ,2.4G Antenna**

料号/PN: **AH2G.101**

应用/Application: **802.11 b/g/n, includes frequencies of 2.4G,Bluetooth, ZigBee, and Wi-Fi products**



电气参数 (Electrical Properties)

频率/Frequency:	2400~2500 MHz
输入阻抗/Impedance:	50 Ω
驻波比/VSWR:	≤2.0
增益/Gain:	2.0 dBi
极化方式/Polarization:	Vertical / Omni

机械参数 (Mechanical Properties)

接头&线缆/Conn&Cable:	SMA-J
材料&颜色/Material&Color:	Copper / ABS
安装方式/Mounting:	SMA connector
尺寸/Size:	∅8×H108 mm
重量/Weight:	6.0 g/pcs
工作温度/Operate Temp:	-40 ~ +85 °C

关联产品/Relation Product



SMA-K DIP ([AHCG.202](#))



SMA-K ASSY ([AHCG.101](#))



PCB 2.4G ([AH2G.201](#))



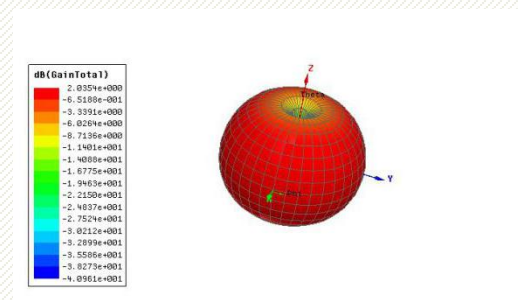
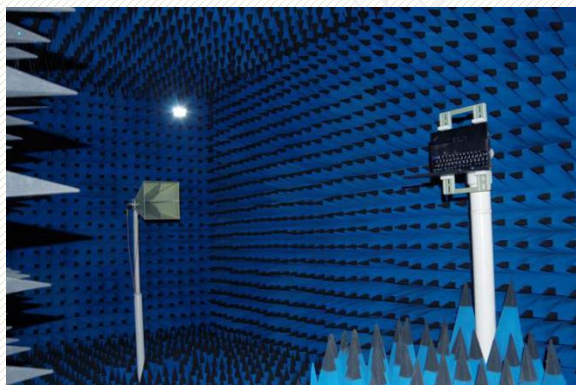
H200 FiberGlass ([AH2G.501](#))

产品手册/ Product Catalogue



免费样品申请
Ask free sample

下载地址/Download Link: <http://docs.AntennaHome.com/ant/catalogue.pdf>



Online Support

Contact Us

E-mail : CS@AntennaHome.com

Website : [Http://www.AntennaHome.com](http://www.AntennaHome.com)