

HY951140A

Electrical Specification @25°C

RoHS Compliant (PB Free)

Isolation: 1500Vrms 0.5mA 60sec (UTP Side to Chip Side)

OCL: 350uH Minimum @100KHz 100mV with 8mADC

Insertion Loss: -1.1dB Typical @100KHz ~ 100MHz

Return Loss: -20dB Minimum @1MHz ~ 10MHz

-16dB Minimum @10MHz ~ 30MHz

-12dB Minimum @30MHz ~ 60MHz

-10dB Minimum @60MHz ~ 80MHz

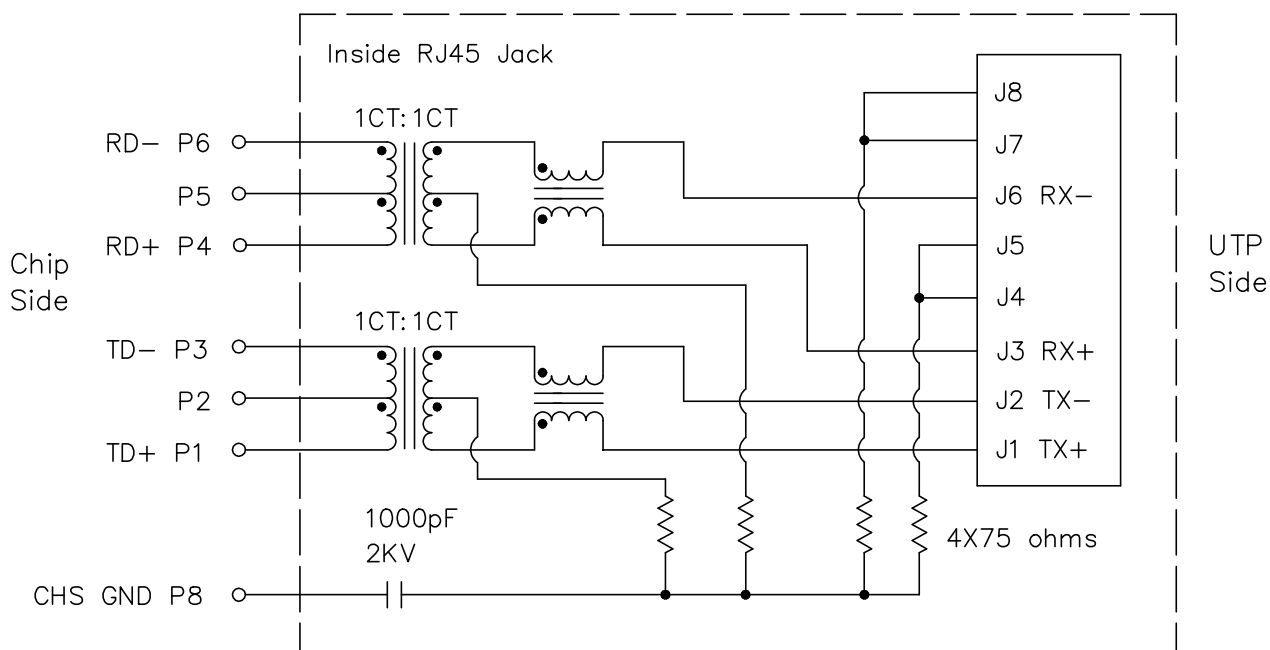
Common to Common Mode Rejection: -35dB Typical @30MHz ~ 100MHz

Crosstalk: -40dB Typical @1MHz ~ 30MHz

-35dB Typical @30MHz ~ 60MHz

-30dB Typical @60MHz ~ 100MHz

Schematics

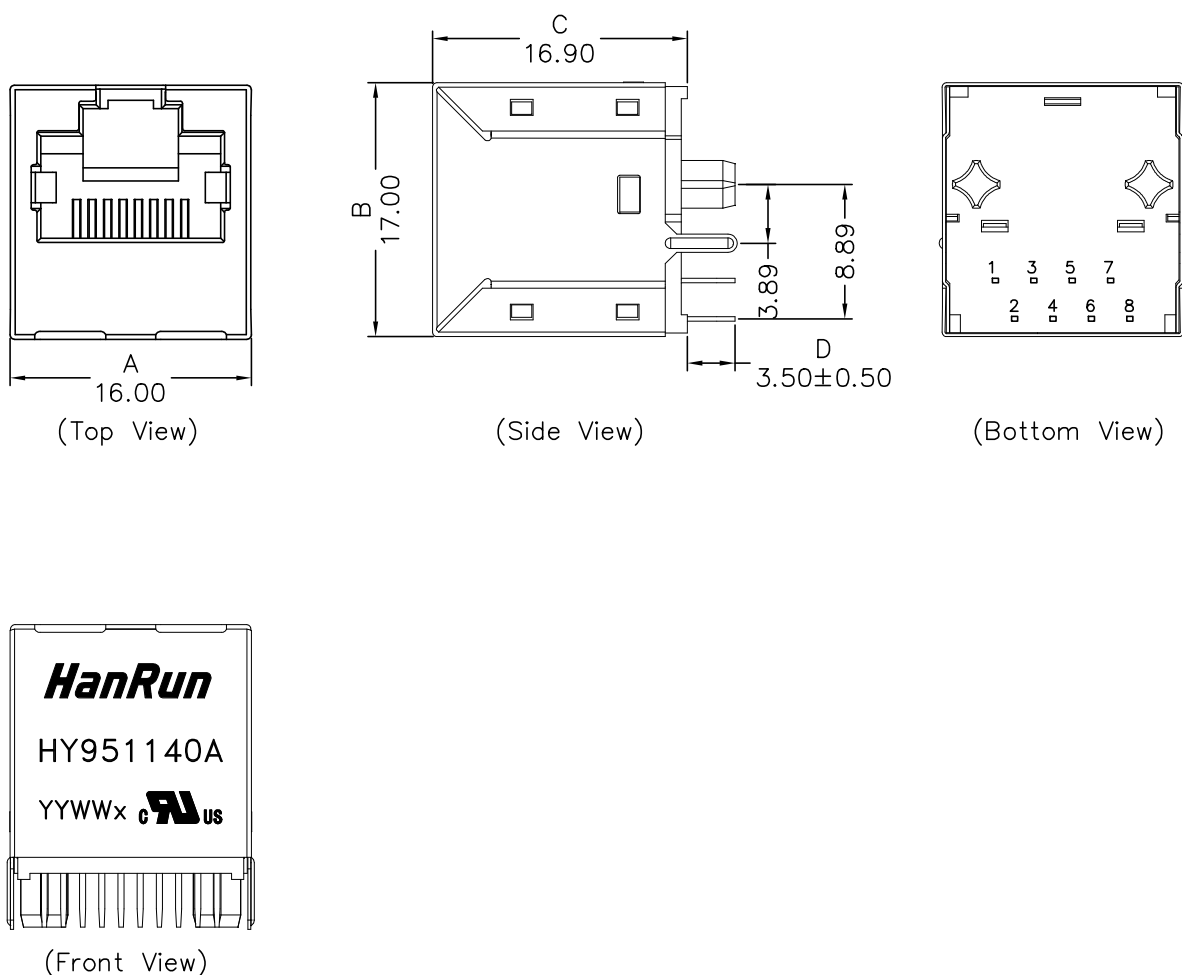


Notes: Connect CHS GND to PCB Ground

HY951140A

- RoHS Compliant (Pb Free)
- Designed for Network Interface Card Application
- Meets or Exceeds IEEE802.3 standards including 350uH Min OCL with 8mADC
- High performance for EMI suppression, Crosstalk, Return Loss and Consistent Electrical
- Minimum 1500Vrms isolation per IEEE802.3 requirement
- Minimize PCB space and Simplify PCB Layout
- Less magnetic components to place on PCB, Higher reliability and yields
- UL Recognized Component: File # E330599

Mechanical Dimensions:



Dimensions in mm

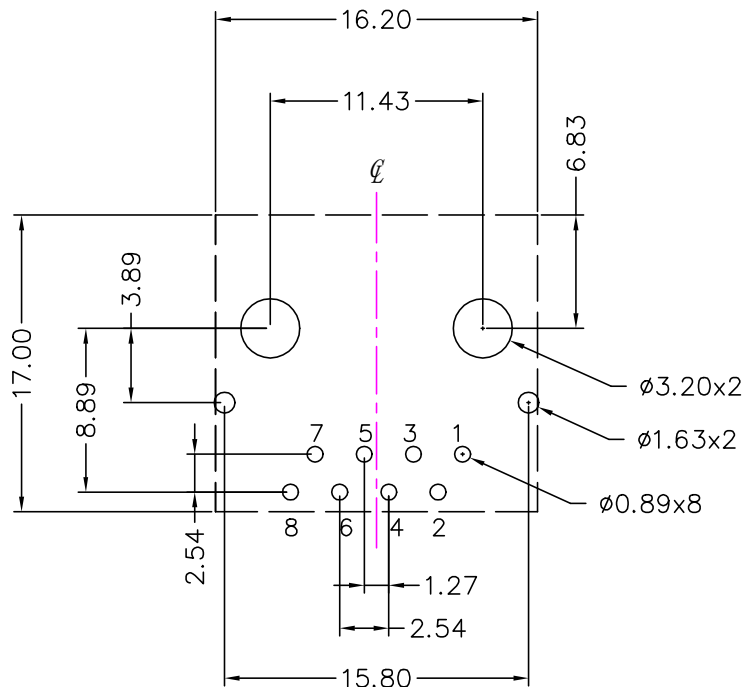
Unless otherwise specified, Tolerance: .xx ±0.25

REV.: 00

2 of 4

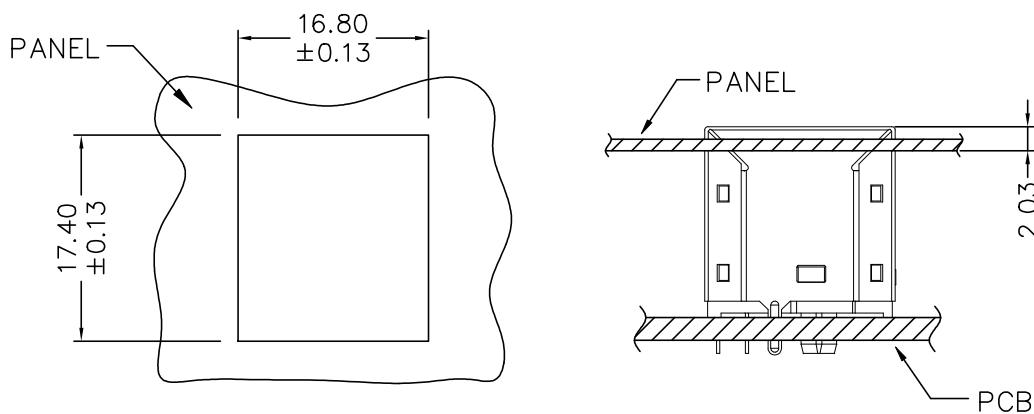
HY951140A

Mechanical Dimensions:



Recommended PCB layout (Component Side View)
All dimension tolerance are ± 0.08 unless otherwise specified

Suggested Panel Cutout:



SUGGESTED PANEL OPENING

Dimensions in mm

Unless otherwise specified, Tolerance: .xx ± 0.25

REV.: 00

HY951140A

Material Specification:

Housing: PA66 GF Black UL94V-0
Shield: 30u" Nickel over 0.20mm Thickness Brass
Insert: PA66 GF Black UL94V-0
Phosphor Bronze 0.30mm Thickness
Plating Area, 30u" gold over 50u" nickel
Solder Area, 100u" tin over 50u" nickel
Contact pin: PA66 GF Black UL94V-0
Phosphor Bronze; 100u" Tinning

Mechanical Performance:

Contact resistance: 30 mΩ Maximum
Mating force: 5 lbs Maximum
Unmating force: 5 lbs Maximum
Operating life: 750 Cycles Minimum

Operating and Storage Temperature:

Operating Temperature Range: 0°C ~ +70°C
Storage Temperature Range: -40°C ~ +85°C