

## 64-Kbit I<sup>2</sup>C Serial EEPROM

### Device Selection Table

| Part Number | Vcc Range | Max. Clock Frequency   | Temp. Ranges | Packages                                 |
|-------------|-----------|------------------------|--------------|--|
| 24AA64      | 1.7V-5.5V | 400 kHz <sup>(1)</sup> | I, E         | CS, MC, MS, P, SN, SM, OT, MNY, ST, X/ST |
| 24FC64      | 1.7V-5.5V | 1 MHz <sup>(2)</sup>   | I            | MC, MF, MS, P, SN, SM, OT, MNY, ST       |
| 24LC64      | 2.5V-5.5V | 400 kHz                | I, E         | MC, MS, P, SN, SM, OT, MNY, ST, X/ST     |

**Note 1:** 100 kHz for Vcc < 2.5V

**2:** 400 kHz for Vcc < 2.5V

### Features

- Single Supply with Operation Down to 1.7V for 24AA64 and 24FC64 Devices and 2.5V for 24LC64 Devices
- Low-Power CMOS Technology:
  - Active current: 3 mA, maximum
  - Standby current: 1 µA, maximum
- Two-Wire Serial Interface, I<sup>2</sup>C Compatible
- Packages with Three Address Pins are Cascadable Up to Eight Devices
- Schmitt Trigger Inputs for Noise Suppression
- Output Slope Control to Eliminate Ground Bounce
- 100 kHz and 400 kHz Clock Compatibility
- 1 MHz Clock for FC versions
- Page Write Time: 5 ms, Maximum
- Self-Timed Erase/Write Cycle
- 32-Byte Page Write Buffer
- Hardware Write-Protect
- ESD Protection > 4,000V
- More Than 1 Million Erase/Write Cycles
- Data Retention > 200 Years
- Factory Programming Available
- RoHS Compliant
- Temperature Ranges Supported:
  - Industrial (I): -40°C to +85°C
  - Extended (E): -40°C to +125°C
- Automotive AEC-Q100 Qualified

### Packages

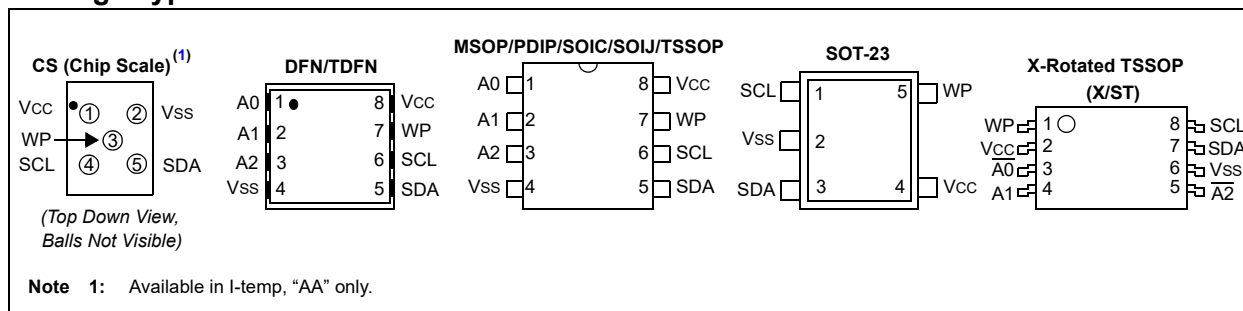
- 5-Lead Chip Scale, 8-Lead DFN, 8-Lead DFN-S, 8-Lead MSOP, 8-Lead PDIP, 8-Lead SOIC, 8-Lead SOIJ, 5-Lead SOT-23, 8-Lead TDFN, 8-Lead TSSOP and 8-Lead X-Rotated TSSOP

### Description

The Microchip Technology Inc. 24XX64<sup>(1)</sup> is a 64-Kbit Electrically Erasable PROM (EEPROM). The device is organized as a single block of 8K x 8-bit memory with a two-wire serial interface. Its low-voltage design permits operation down to 1.7V, with standby and active currents of only 1 µA and 3 mA, respectively. The 24XX64 also has a page write capability for up to 32 bytes of data. Functional address lines allow up to eight devices on the same bus, for up to 512-Kbit address space.

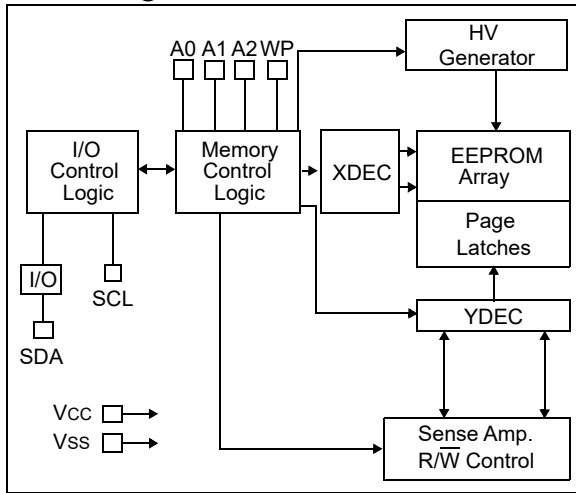
**Note 1:** 24XX64 is used in this document as a generic part number for the 24AA64/24FC64/24LC64 devices.

### Package Types



# 24AA64/24FC64/24LC64

## Block Diagram



# 24AA64/24FC64/24LC64

## 1.0 ELECTRICAL CHARACTERISTICS

### Absolute Maximum Ratings (†)

|   |                                |
|---|--------------------------------|
| V <sub>CC</sub> .....                               | 6.5V                           |
| All inputs and outputs w.r.t. V <sub>SS</sub> ..... | -0.3V to V <sub>CC</sub> +1.0V |
| Storage temperature.....                            | -65°C to +150°C                |
| Ambient temperature with power applied.....         | -40°C to +125°C                |
| ESD protection on all pins.....                     | ≥ 4 kV                         |

† **NOTICE:** Stresses above those listed under “Absolute Maximum Ratings” may cause permanent damage to the device. This is a stress rating only and functional operation of the device at those or any other conditions above those indicated in the operational listings of this specification is not implied. Exposure to maximum rating conditions for extended periods may affect device reliability.

**TABLE 1-1: DC CHARACTERISTICS**

| DC CHARACTERISTICS |                                    |  | Electrical Characteristics:<br>Industrial (I): TA = -40°C to +85°C, V <sub>CC</sub> = +1.7V to +5.5V<br>Extended (E): TA = -40°C to +125°C, V <sub>CC</sub> = +1.7V to +5.5V |         |                     |       |   |
|--------------------|------------------------------------|--|--|---------|---------------------|-------|---|
| Param. No.         | Symbol                             | Characteristic                                       | Min.   | Typical | Max.                | Units | Conditions  |
| D1                 | V <sub>IH</sub>                    | High-Level Input Voltage                             | 0.7 V <sub>CC</sub>  | —       | —                   | V     |   |
| D2                 | V <sub>IL</sub>                    | Low-Level Input Voltage                              | —  | —       | 0.3 V <sub>CC</sub> | V     | V <sub>CC</sub> ≥ 2.5V  |
|                    |                                    |  | —  | —       | 0.2 V <sub>CC</sub> | V     | V <sub>CC</sub> < 2.5V  |
| D3                 | V <sub>HYS</sub>                   | Hysteresis of Schmitt Trigger Inputs (SDA, SCL pins) | 0.05 V <sub>CC</sub>   | —       | —                   | V     | V <sub>CC</sub> ≥ 2.5V (Note 1)   |
| D4                 | V <sub>OL</sub>                    | Low-Level Output Voltage                             | —  | —       | 0.40                | V     | I <sub>OL</sub> = 3.0 mA @ V <sub>CC</sub> = 4.5V                           |
|                    |                                    |  | —  | —       | 0.40                | V     | I <sub>OL</sub> = 2.1 mA @ V <sub>CC</sub> = 2.5V                           |
| D5                 | I <sub>LI</sub>                    | Input Leakage Current                                | —  | —       | ±1                  | µA    | V <sub>IN</sub> = V <sub>SS</sub> or V <sub>CC</sub> , WP = V <sub>SS</sub> |
|                    |                                    |  | —  | —       | ±1                  | µA    | V <sub>IN</sub> = V <sub>SS</sub> or V <sub>CC</sub> , WP = V <sub>CC</sub> |
| D6                 | I <sub>LO</sub>                    | Output Leakage Current                               | —  | —       | ±1                  | µA    | V <sub>OUT</sub> = V <sub>SS</sub> or V <sub>CC</sub>                       |
| D7                 | C <sub>IN</sub> , C <sub>OUT</sub> | Pin Capacitance (all inputs/outputs)                 | —  | —       | 10                  | pF    | V <sub>CC</sub> = 5.0V (Note 1)<br>TA = 25°C, F <sub>CLK</sub> = 1 MHz      |
| D8                 | I <sub>CC</sub> Write              | Operating Current                                    | —  | 0.1     | 3                   | mA    | V <sub>CC</sub> = 5.5V, SCL = 400 kHz                                       |
| D9                 | I <sub>CC</sub> Read               |  | —  | 0.05    | 400                 | µA    | V <sub>CC</sub> = 5.5V, SCL = 400 kHz                                       |
| D10                | I <sub>CCS</sub>                   | Standby Current                                      | —  | 0.01    | 1                   | µA    | SDA = SCL = V <sub>CC</sub><br>A0, A1, A2, WP = V <sub>SS</sub> , I-Temp.   |
|                    |                                    |  | —  | —       | 5                   | µA    | SDA = SCL = V <sub>CC</sub><br>A0, A1, A2, WP = V <sub>SS</sub> , E-Temp.   |

**Note 1:** This parameter is periodically sampled and not 100% tested.

**2:** Typical measurements taken at room temperature.

# 24AA64/24FC64/24LC64

TABLE 1-2: AC CHARACTERISTICS

| AC CHARACTERISTICS |         |                            | Electrical Characteristics:<br>Industrial (I): V <sub>CC</sub> = +1.7V to +5.5V TA = -40°C to +85°C<br>Extended (E): V <sub>CC</sub> = +1.7V to +5.5V TA = -40°C to +125°C |      |       |   |
|--------------------|---------|----------------------------|--|------|-------|---|
| Param. No.         | Symbol  | Characteristic             | Min.   | Max. | Units | Conditions                                      |
| 1                  | FCLK    | Clock Frequency            | —  | 100  | kHz   | 1.7V ≤ V <sub>CC</sub> < 2.5V                   |
|                    |         |                            | —  | 400  | kHz   | 2.5V ≤ V <sub>CC</sub> ≤ 5.5V                   |
|                    |         |                            | —  | 400  | kHz   | 1.7V ≤ V <sub>CC</sub> < 2.5V (24FC64)          |
|                    |         |                            | —  | 1000 | kHz   | 2.5V ≤ V <sub>CC</sub> ≤ 5.5V (24FC64)          |
| 2                  | THIGH   | Clock High Time            | 4000   | —    | ns    | 1.7V ≤ V <sub>CC</sub> < 2.5V                   |
|                    |         |                            | 600  | —    | ns    | 2.5V ≤ V <sub>CC</sub> ≤ 5.5V                   |
|                    |         |                            | 600  | —    | ns    | 1.7V ≤ V <sub>CC</sub> < 2.5V (24FC64)          |
|                    |         |                            | 500  | —    | ns    | 2.5V ≤ V <sub>CC</sub> ≤ 5.5V (24FC64)          |
| 3                  | TLOW    | Clock Low Time             | 4700   | —    | ns    | 1.7V ≤ V <sub>CC</sub> < 2.5V                   |
|                    |         |                            | 1300   | —    | ns    | 2.5V ≤ V <sub>CC</sub> ≤ 5.5V                   |
|                    |         |                            | 1300   | —    | ns    | 1.7V ≤ V <sub>CC</sub> < 2.5V (24FC64)          |
|                    |         |                            | 500  | —    | ns    | 2.5V ≤ V <sub>CC</sub> ≤ 5.5V (24FC64)          |
| 4                  | TR      | SDA and SCL Rise Time      | —  | 1000 | ns    | 1.7V ≤ V <sub>CC</sub> < 2.5V (Note 1)          |
|                    |         |                            | —  | 300  | ns    | 2.5V ≤ V <sub>CC</sub> ≤ 5.5V (Note 1)          |
|                    |         |                            | —  | 300  | ns    | 1.7V ≤ V <sub>CC</sub> ≤ 5.5V (24FC64) (Note 1) |
| 5                  | TF      | SDA and SCL Fall Time      | —  | 300  | ns    | 24AA64 and 24LC64 (Note 1)                      |
|                    |         |                            | —  | 100  | ns    | 1.7V ≤ V <sub>CC</sub> ≤ 5.5V (24FC64) (Note 1) |
| 6                  | THD:STA | Start Condition Hold Time  | 4000   | —    | ns    | 1.7V ≤ V <sub>CC</sub> < 2.5V                   |
|                    |         |                            | 600  | —    | ns    | 2.5V ≤ V <sub>CC</sub> ≤ 5.5V                   |
|                    |         |                            | 600  | —    | ns    | 1.7V ≤ V <sub>CC</sub> < 2.5V (24FC64)          |
|                    |         |                            | 250  | —    | ns    | 2.5V ≤ V <sub>CC</sub> ≤ 5.5V (24FC64)          |
| 7                  | TSU:STA | Start Condition Setup Time | 4700   | —    | ns    | 1.7V ≤ V <sub>CC</sub> < 2.5V                   |
|                    |         |                            | 600  | —    | ns    | 2.5V ≤ V <sub>CC</sub> ≤ 5.5V                   |
|                    |         |                            | 600  | —    | ns    | 1.7V ≤ V <sub>CC</sub> < 2.5V (24FC64)          |
|                    |         |                            | 250  | —    | ns    | 2.5V ≤ V <sub>CC</sub> ≤ 5.5V (24FC64)          |
| 8                  | THD:DAT | Data Input Hold Time       | 0  | —    | ns    | Note 2  |
| 9                  | TSU:DAT | Data Input Setup Time      | 250  | —    | ns    | 1.7V ≤ V <sub>CC</sub> < 2.5V                   |
|                    |         |                            | 100  | —    | ns    | 2.5V ≤ V <sub>CC</sub> ≤ 5.5V                   |
|                    |         |                            | 100  | —    | ns    | 1.7V ≤ V <sub>CC</sub> ≤ 5.5V (24FC64)          |
| 10                 | TSU:STO | Stop Condition Setup Time  | 4000   | —    | ns    | 1.7V ≤ V <sub>CC</sub> < 2.5V                   |
|                    |         |                            | 600  | —    | ns    | 2.5V ≤ V <sub>CC</sub> ≤ 5.5V                   |
|                    |         |                            | 600  | —    | ns    | 1.7V ≤ V <sub>CC</sub> < 2.5V (24FC64)          |
|                    |         |                            | 250  | —    | ns    | 2.5V ≤ V <sub>CC</sub> ≤ 5.5V (24FC64)          |

**Note 1:** Not 100% tested. CB = total capacitance of one bus line in pF.

**2:** As a transmitter, the device must provide an internal minimum delay time to bridge the undefined region (minimum 300 ns) of the falling edge of SCL to avoid unintended generation of Start or Stop conditions.

**3:** The combined TSP and VHYS specifications are due to new Schmitt Trigger inputs, which provide improved noise spike suppression. This eliminates the need for a TI specification for standard operation.

**4:** This parameter is not tested but ensured by characterization.

# 24AA64/24FC64/24LC64

**TABLE 1-2: AC CHARACTERISTICS**

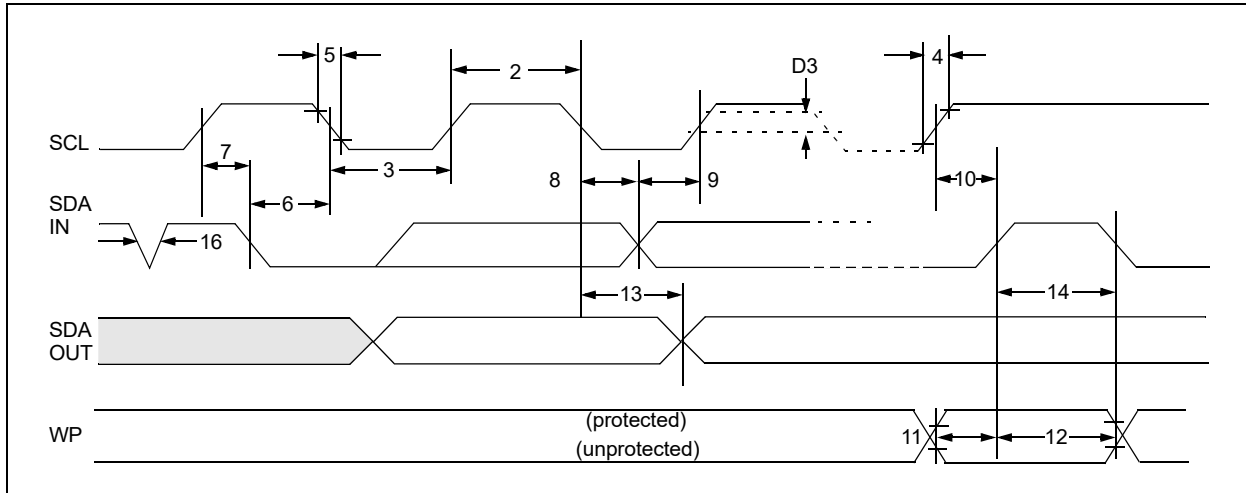
| AC CHARACTERISTICS |        |   | Electrical Characteristics:<br>Industrial (I): V <sub>CC</sub> = +1.7V to +5.5V T <sub>A</sub> = -40°C to +85°C<br>Extended (E): V <sub>CC</sub> = +1.7V to +5.5V T <sub>A</sub> = -40°C to +125°C |      |        |   |
|--------------------|--------|---|--|------|--------|---|
| Param. No.         | Symbol | Characteristic  | Min.   | Max. | Units  | Conditions                                      |
| 11                 | TSU:WP | WP Setup Time   | 4000   | —    | ns     | 1.7V ≤ V <sub>CC</sub> < 2.5V                   |
|                    |        |   | 600  | —    | ns     | 2.5V ≤ V <sub>CC</sub> ≤ 5.5V                   |
|                    |        |   | 600  | —    | ns     | 1.7V ≤ V <sub>CC</sub> ≤ 5.5V (24FC64)          |
| 12                 | THD:WP | WP Hold Time  | 4700   | —    | ns     | 1.7V ≤ V <sub>CC</sub> < 2.5V                   |
|                    |        |   | 1300   | —    | ns     | 2.5V ≤ V <sub>CC</sub> ≤ 5.5V                   |
|                    |        |   | 1300   | —    | ns     | 1.7V ≤ V <sub>CC</sub> ≤ 5.5V 24FC64            |
| 13                 | TAA    | Output Valid from Clock   | —  | 3500 | ns     | 1.7V ≤ V <sub>CC</sub> < 2.5V (Note 2)          |
|                    |        |   | —  | 900  | ns     | 2.5V ≤ V <sub>CC</sub> ≤ 5.5V (Note 2)          |
|                    |        |   | —  | 900  | ns     | 1.7V ≤ V <sub>CC</sub> < 2.5V (24FC64) (Note 2) |
|                    |        |   | —  | 400  | ns     | 2.5V ≤ V <sub>CC</sub> ≤ 5.5V (24FC64) (Note 2) |
| 14                 | TBUF   | Bus Free Time: The time the bus must be free before a new transmission can start                    | 4700   | —    | ns     | 1.7V ≤ V <sub>CC</sub> < 2.5V                   |
|                    |        |   | 1300   | —    | ns     | 2.5V ≤ V <sub>CC</sub> ≤ 5.5V                   |
|                    |        |   | 1300   | —    | ns     | 1.7V ≤ V <sub>CC</sub> < 2.5V (24FC64)          |
|                    |        |   | 500  | —    | ns     | 2.5V ≤ V <sub>CC</sub> ≤ 5.5V (24FC64)          |
| 15                 | TOF    | Output Fall Time from V <sub>IH</sub> Minimum to V <sub>IL</sub> Maximum<br>C <sub>B</sub> ≤ 100 pF | 10 + 0.1C <sub>B</sub>   | 250  | ns     | 24AA64 and 24LC64 (Note 1)                      |
|                    |        |   | —  | 250  | ns     | 24FC64 (Note 1)                                 |
| 16                 | TSP    | Input Filter Spike Suppression (SDA and SCL pins)   | —  | 50   | ns     | 24AA64 and 24LC64 (Note 1 and Note 3)           |
| 17                 | TWC    | Write Cycle Time (byte or page)   | —  | 5    | ms     |   |
| 18                 |        | Endurance   | 1,000,000  | —    | cycles | +25°C, 5.5V, Page Mode (Note 4)                 |

**Note 1:** Not 100% tested. C<sub>B</sub> = total capacitance of one bus line in pF.

- 2:** As a transmitter, the device must provide an internal minimum delay time to bridge the undefined region (minimum 300 ns) of the falling edge of SCL to avoid unintended generation of Start or Stop conditions.
- 3:** The combined TSP and V<sub>HYS</sub> specifications are due to new Schmitt Trigger inputs, which provide improved noise spike suppression. This eliminates the need for a T<sub>I</sub> specification for standard operation.
- 4:** This parameter is not tested but ensured by characterization.

# 24AA64/24FC64/24LC64

FIGURE 1-1: BUS TIMING DATA



## 2.0 PIN DESCRIPTIONS

The descriptions of the pins are listed in [Table 2-1](#).

**TABLE 2-1: PIN FUNCTION TABLE**

| Name | CS | DFN <sup>(1)</sup> | MSOP | PDIP | SOIC | SOIJ | SOT-23 | TDFN <sup>(1)</sup> | TSSOP | Rotated TSSOP | Description             |
|------|----|--------------------|------|------|------|------|--------|---------------------|-------|---------------|-------------------------|
| A0   | —  | 1                  | 1    | 1    | 1    | 1    | —      | 1                   | 1     | 3             | Chip Address Input      |
| A1   | —  | 2                  | 2    | 2    | 2    | 2    | —      | 2                   | 2     | 4             | Chip Address Input      |
| A2   | —  | 3                  | 3    | 3    | 3    | 3    | —      | 3                   | 3     | 5             | Chip Address Input      |
| Vss  | 2  | 4                  | 4    | 4    | 4    | 4    | 2      | 4                   | 4     | 6             | Ground                  |
| SDA  | 5  | 5                  | 5    | 5    | 5    | 5    | 3      | 5                   | 5     | 7             | Serial Address/Data I/O |
| SCL  | 4  | 6                  | 6    | 6    | 6    | 6    | 1      | 6                   | 6     | 8             | Serial Clock            |
| WP   | 3  | 7                  | 7    | 7    | 7    | 7    | 5      | 7                   | 7     | 1             | Write-Protect Input     |
| Vcc  | 1  | 8                  | 8    | 8    | 8    | 8    | 4      | 8                   | 8     | 2             | Power Supply            |

**Note 1:** The exposed pad on the DFN/TDFN packages can be connected to Vss or left floating.

### 2.1 A0, A1, A2 Chip Address Inputs

The A0, A1 and A2 inputs are used by the 24XX64 for multiple device operation. The levels on these inputs are compared with the corresponding bits in the client address. The chip is selected if the compare is true.

Up to eight devices may be connected to the same bus by using different Chip Select bit combinations. These inputs must be connected to either Vcc or Vss.

In most applications, the chip address inputs A0, A1 and A2 are hard-wired to logic '0' or logic '1'. For applications in which these pins are controlled by a microcontroller or other programmable device, the chip address pins must be driven to logic '0' or logic '1' before normal device operation can proceed. Address pins are not available in the SOT-23 or Chip Scale packages.

### 2.2 Serial Address/Data Input/Output (SDA)

SDA is a bidirectional pin used to transfer addresses and data into and out of the device. Since it is an open-drain terminal, the SDA bus requires a pull-up resistor to Vcc (typical 10 kΩ for 100 kHz, 2 kΩ for 400 kHz and 1 MHz).

For normal data transfer, SDA is allowed to change only during SCL low. Changes during SCL high are reserved for indicating the Start and Stop conditions.

### 2.3 Serial Clock (SCL)

The SCL input is used to synchronize the data transfer from and to the device.

### 2.4 Write-Protect (WP)

This pin must be connected to either Vss or Vcc. If tied to Vss, write operations are enabled. If tied to Vcc, write operations are inhibited but read operations are not affected.

# 24AA64/24FC64/24LC64

## 3.0 FUNCTIONAL DESCRIPTION

The 24XX64 supports a bidirectional, two-wire bus and data transmission protocol. A device that sends data onto the bus is defined as transmitter, while a device receiving data is defined as a receiver. The bus has to be controlled by a host device which generates the Serial Clock (SCL), controls the bus access and generates the Start and Stop conditions, while the 24XX64 works as client. Both host and client can operate as transmitter or receiver, but the host device determines which mode is activated.

## 4.0 BUS CHARACTERISTICS

The following **bus protocol** has been defined:

- Data transfer may be initiated only when the bus is not busy
- During data transfer, the data line must remain stable whenever the clock line is high. Changes in the data line while the clock line is high will be interpreted as a Start or Stop condition

Accordingly, the following bus conditions have been defined (Figure 4-1).

### 4.1 Bus Not Busy (A)

Both data and clock lines remain high.

### 4.2 Start Data Transfer (B)

A high-to-low transition of the SDA line while the clock (SCL) is high determines a Start condition. All commands must be preceded by a Start condition.

### 4.3 Stop Data Transfer (C)

A low-to-high transition of the SDA line while the clock (SCL) is high determines a Stop condition. All operations must be ended with a Stop condition.

## 4.4 Data Valid (D)

The state of the data line represents valid data when, after a Start condition, the data line is stable for the duration of the high period of the clock signal.

The data on the line must be changed during the low period of the clock signal. There is one clock pulse per bit of data.

Each data transfer is initiated with a Start condition and terminated with a Stop condition. The number of data bytes transferred between Start and Stop conditions is determined by the host device and is, theoretically, unlimited (although only the last 32 will be stored when doing a write operation). When an overwrite does occur, it will replace data in a First-In First-Out (FIFO) principle.

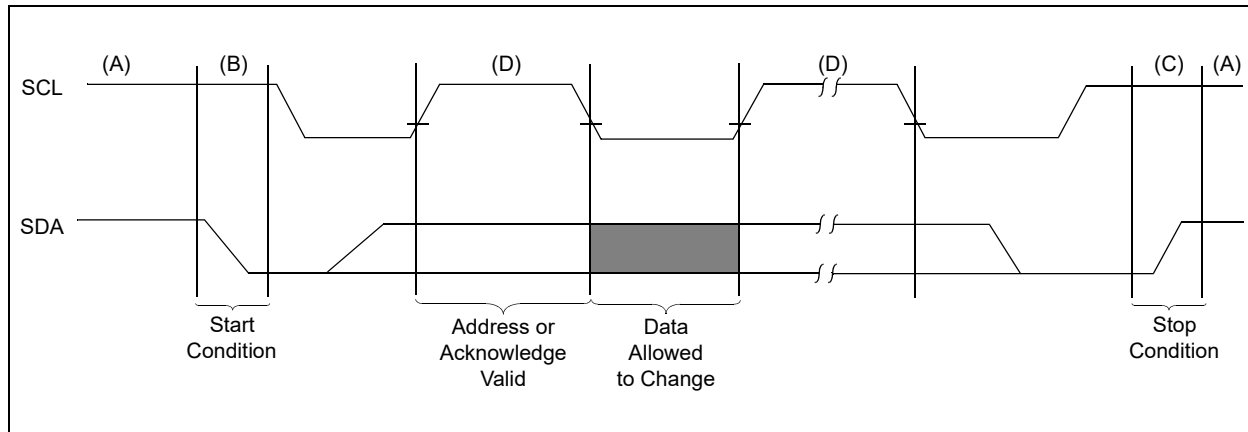
## 4.5 Acknowledge

Each receiving device, when addressed, is obliged to generate an Acknowledge after the reception of each byte. The host device must generate an extra clock pulse which is associated with this Acknowledge bit.

**Note:** The 24XX64 does not generate any Acknowledge bits if an internal programming cycle is in progress.

The device that acknowledges has to pull down the SDA line during the Acknowledge clock pulse in such a way that the SDA line is stable-low during the high period of the Acknowledge-related clock pulse. Moreover, setup and hold times must be taken into account. During reads, a host must signal an end of data to the client by not generating an Acknowledge bit on the last byte that has been clocked out of the client. In this case, the client (24XX64) will leave the data line high to enable the host to generate the Stop condition.

FIGURE 4-1: DATA TRANSFER SEQUENCE ON THE SERIAL BUS





## 5.0 DEVICE ADDRESSING

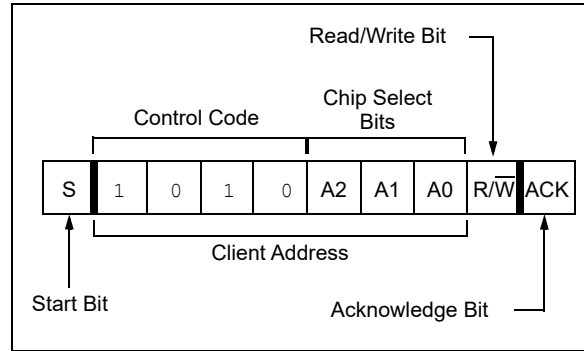
A control byte is the first byte received following the Start condition from the host device. The control byte consists of a 4-bit control code. For the 24XX64, this is set as '1010' binary for read and write operations. The next three bits of the control byte are the Chip Select bits (A2, A1, A0). The Chip Select bits allow the use of up to eight 24XX64 devices on the same bus and are used to select which device is accessed. The Chip Select bits in the control byte must correspond to the logic levels on the corresponding A2, A1 and A0 pins for the device to respond. These bits are, in effect, the three Most Significant bits of the word address. The combination of the 4-bit control code and the next three bits are called the client address.

For the SOT-23 and Chip Scale packages, the address pins are not available. During device addressing, the A2, A1 and A0 Chip Select bits should be set to '0'.

The last bit of the control byte is the Read/Write ( $\overline{R/W}$ ) bit and it defines the operation to be performed. When set to a '1', a read operation is selected. When set to a '0', a write operation is selected. The next two bytes received define the address of the first data byte (Figure 5-2). Because only A12...A0 are used, the upper three address bits are "don't care" bits. The upper address bits are transferred first, followed by the Less Significant bits.

Following the Start condition, the 24XX64 monitors the SDA bus, checking the device-type identifier being transmitted. Upon receiving a valid client address and the R/W bit, the client device outputs an Acknowledge signal on the SDA line. Depending on the state of the R/W bit, the 24XX64 will select a read or write operation.

FIGURE 5-1: CONTROL BYTE FORMAT

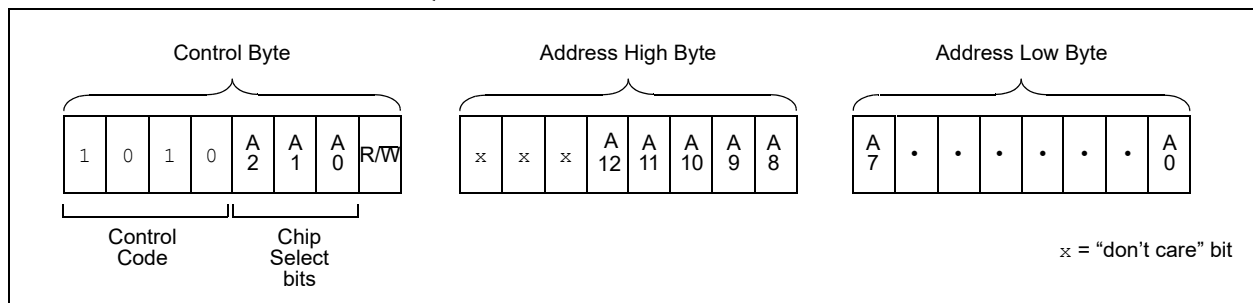


### 5.1 Contiguous Addressing Across Multiple Devices

The Chip Select bits A2, A1 and A0 can be used to expand the contiguous address space for up to 512 Kbits by adding up to eight 24XX64 devices on the same bus. In this case, software can use A0 of the control byte as address bit A13; A1 as address bit A14; and A2 as address bit A15. It is not possible to sequentially read across device boundaries.

The SOT-23 and Chip Scale packages do not support multiple device addressing on the same bus.

FIGURE 5-2: ADDRESS SEQUENCE BIT ASSIGNMENTS



## 6.0 WRITE OPERATIONS

### 6.1 Byte Write

Following the Start condition from the host, the control code (four bits), the Chip Select (three bits) and the R/W bit (which is a logic low) are clocked onto the bus by the host transmitter. This indicates to the addressed client receiver that the address high byte will follow once it has generated an Acknowledge bit during the ninth clock cycle. Therefore, the next byte transmitted by the host is the high-order byte of the word address and will be written into the Address Pointer of the 24XX64.

The next byte is the Least Significant Address byte. After receiving another Acknowledge signal from the 24XX64, the host device will transmit the data word to be written into the addressed memory location. The 24XX64 acknowledges again and the host generates a Stop condition. This initiates the internal write cycle and, during this time, the 24XX64 will not generate Acknowledge signals (Figure 6-1). If an attempt is made to write to the array with the WP pin held high, the device will acknowledge the command, but no write cycle will occur, no data will be written and the device will immediately accept a new command. After a byte Write command, the internal Address Pointer will point to the address location following the one that was just written.

**Note:** When doing a write of less than 32 bytes, the data in the rest of the page are refreshed along with the data bytes being written. This will force the entire page to endure a write cycle, for this reason endurance is specified per page.

### 6.2 Page Write

The write control byte, word address and the first data byte are transmitted to the 24XX64 in the same way as in a byte write. However, instead of generating a Stop condition, the host transmits up to 31 additional bytes which are temporarily stored in the on-chip page buffer and will be written into memory once the host has transmitted a Stop condition. Upon receipt of each word, the five lower Address Pointer bits, which form the byte counter, are internally incremented by one. The higher-order 8 bits of the word address remain constant.

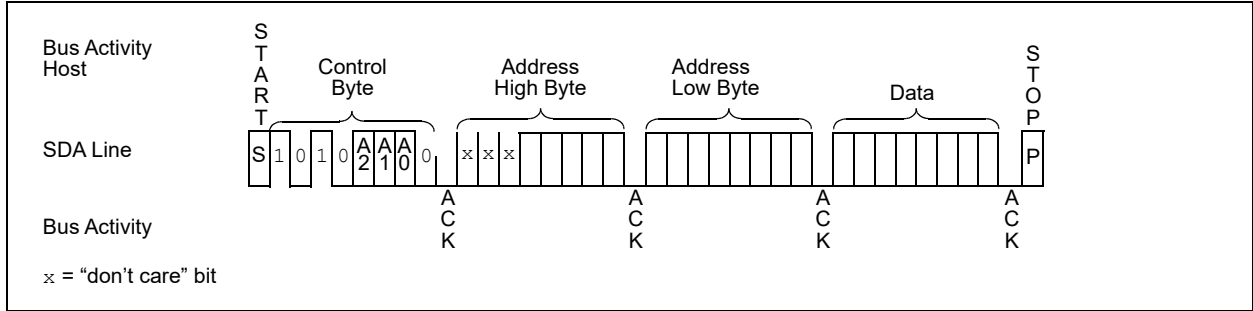
If the host should transmit more than 32 bytes prior to generating the Stop condition, the Address Pointer will roll over and the previously received data will be overwritten. As with the byte write operation, once the Stop condition is received, an internal write cycle will begin (Figure 6-2). If an attempt is made to write to the array with the WP pin held high, the device will acknowledge the command, but no write cycle will occur, no data will be written and the device will immediately accept a new command.

**Note:** Page write operations are limited to writing bytes within a single physical page, **regardless** of the number of bytes actually being written. Physical page boundaries start at addresses that are integer multiples of the page buffer size (or 'page size') and end at addresses that are integer multiples of page size – 1. If a page write command attempts to write across a physical page boundary, the result is that the data wrap around to the beginning of the current page (overwriting data previously stored there), instead of being written to the next page, as might be expected. It is therefore necessary for the application software to prevent page write operations that would attempt to cross a page boundary.

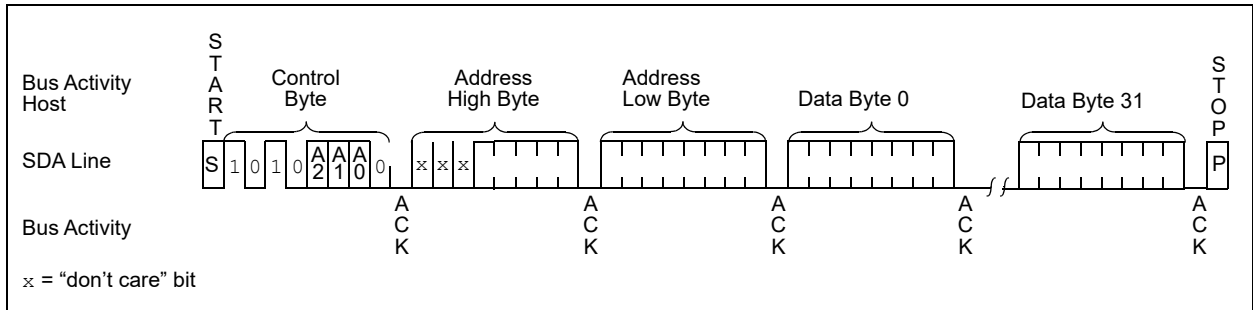
### 6.3 Write Protection

The WP pin allows the user to write-protect the entire array (0000-1FFF) when the pin is tied to Vcc. If tied to Vss, the write protection is disabled. The WP pin is sampled at the Stop bit for every Write command (Figure 4-1). Toggling the WP pin after the Stop bit will have no effect on the execution of the write cycle.

**FIGURE 6-1: BYTE WRITE**



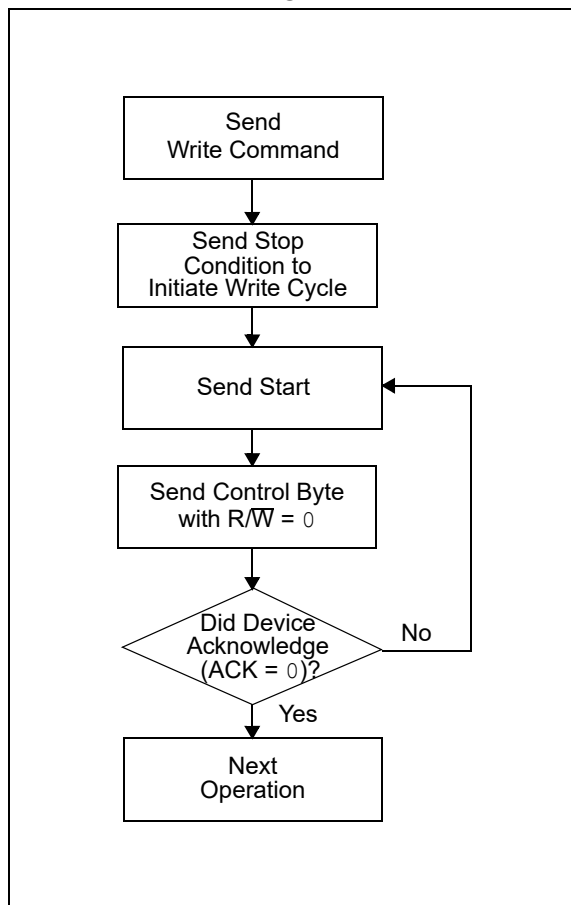
**FIGURE 6-2: PAGE WRITE**



## 7.0 ACKNOWLEDGE POLLING

Since the device will not acknowledge during a write cycle, this can be used to determine when the cycle is complete (this feature can be used to maximize bus throughput). Once the Stop condition for a write command has been issued from the host, the device initiates the internally-timed write cycle and ACK polling can then be initiated immediately. This involves the host sending a Start condition followed by the control byte for a write command ( $R/\overline{W} = 0$ ). If the device is still busy with the write cycle, then no ACK will be returned. If no ACK is returned, the Start bit and control byte must be resent. If the cycle is complete, the device will return the ACK and the host can then proceed with the next read or write operation. See [Figure 7-1](#) for a flow diagram of this operation.

FIGURE 7-1: ACKNOWLEDGE POLLING FLOW



## 8.0 READ OPERATION

Read operations are initiated in the same way as write operations, with the exception that the  $R/\overline{W}$  bit of the control byte is set to one. There are three basic types of read operations: current address read, random read and sequential read.

### 8.1 Current Address Read

The 24XX64 contains an Address Pointer that maintains the address of the last word accessed, internally incremented by one. Therefore, if the previous read access was to address 'n' (n is any legal address), the next current address read operation would access data from address  $n + 1$ .

Upon receipt of the control byte with  $R/\overline{W}$  bit set to one, the 24XX64 issues an Acknowledge and transmits the 8-bit data word. The host will not acknowledge the transfer, but does generate a Stop condition and the 24XX64 discontinues transmission (Figure 8-1).

### 8.2 Random Read

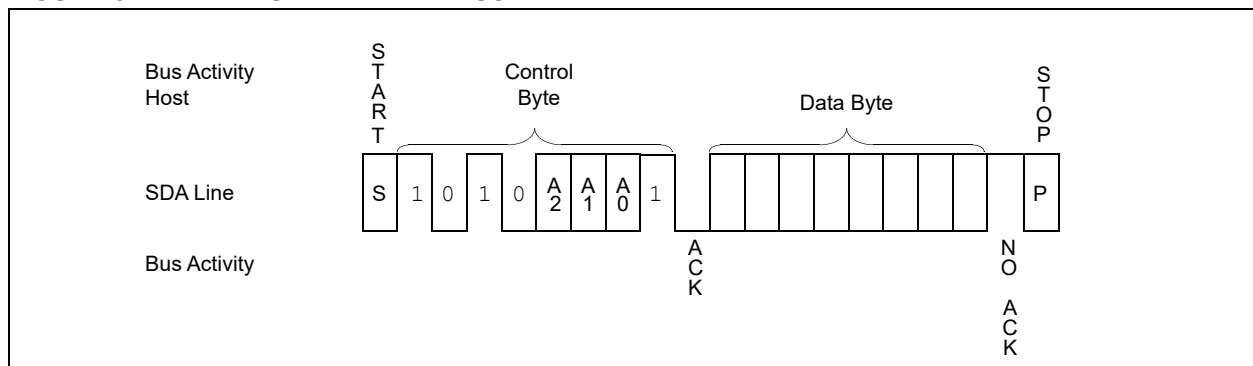
Random read operations allow the host to access any memory location in a random manner. To perform this type of read operation, the word address must first be set. This is accomplished by sending the word address to the 24XX64 as part of a write operation ( $R/\overline{W}$  bit set to '0'). Once the word address is sent, the host generates a Start condition following the Acknowledge.

This terminates the write operation, but not before the internal Address Pointer is set. The host then issues the control byte again, but with the  $R/\overline{W}$  bit set to a '1'. The 24XX64 will then issue an Acknowledge and transmit the 8-bit data word. The host will not acknowledge the transfer, but does generate a Stop condition, which causes the 24XX64 to discontinue transmission (Figure 8-2). After a random Read command, the internal Address Pointer will point to the address location following the one that was just read.

### 8.3 Sequential Read

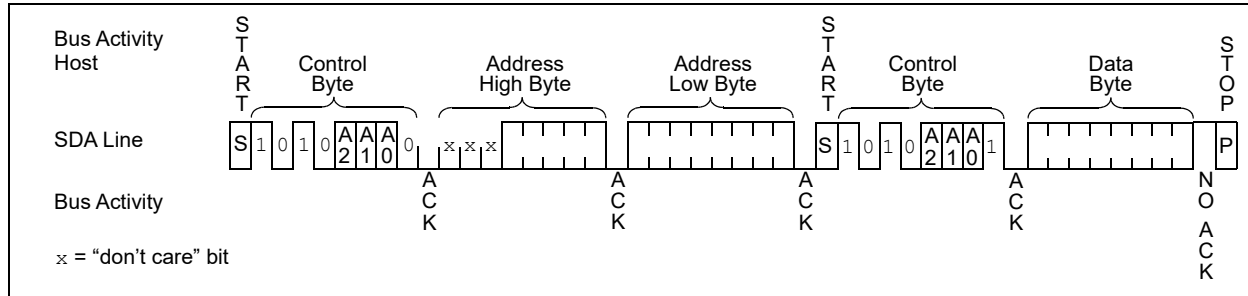
Sequential reads are initiated in the same way as random reads, except that once the 24XX64 transmits the first data byte, the host issues an Acknowledge as opposed to the Stop condition used in a random read. This Acknowledge directs the 24XX64 to transmit the next sequentially-addressed 8-bit word (Figure 8-3). Following the final byte being transmitted to the host, the host will NOT generate an Acknowledge, but will generate a Stop condition. To provide sequential reads, the 24XX64 contains an internal Address Pointer which is incremented by one at the completion of each operation. This Address Pointer allows the entire memory contents to be serially read during one operation. The internal Address Pointer will automatically roll over from address 1FFF to address 0000 if the host acknowledges the byte received from the array address 1FFF.

**FIGURE 8-1: CURRENT ADDRESS READ**

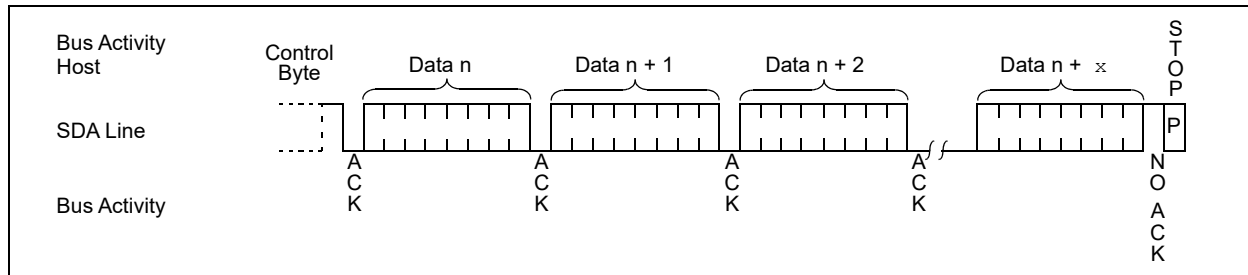


# 24AA64/24FC64/24LC64

**FIGURE 8-2: RANDOM READ**



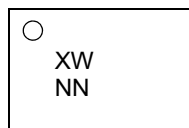
**FIGURE 8-3: SEQUENTIAL READ**



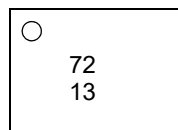
## 9.0 PACKAGING INFORMATION

### 9.1 Package Marking Information

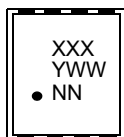
5-Lead Chip Scale



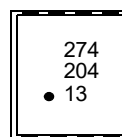
Example



8-Lead 2x3 DFN



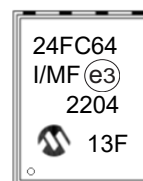
Example



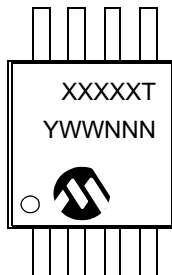
8-Lead 5x6 DFN-S



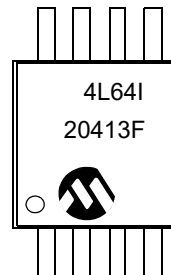
Example



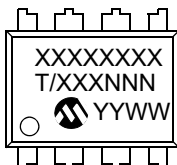
8-Lead MSOP



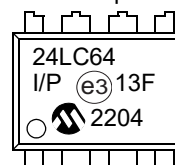
Example



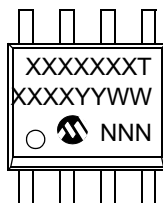
8-Lead PDIP (300 mil)



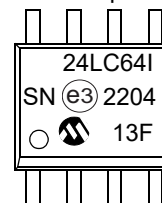
Example



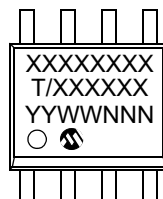
8-Lead SOIC



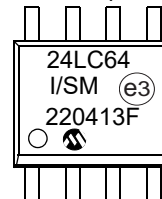
Example



8-Lead SOIJ

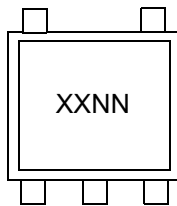


Example

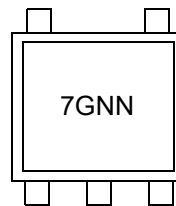


# 24AA64/24FC64/24LC64

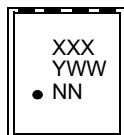
5-Lead SOT-23



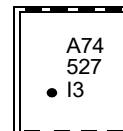
Example



8-Lead 2x3 TDFN



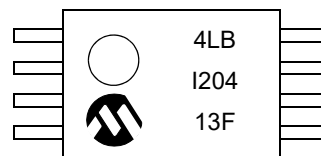
Example



8-Lead TSSOP



Example



| Part Number | 1 <sup>st</sup> Line Marking Codes |         |                      |                     |                     |         |         |          |         |
|-------------|------------------------------------|---------|----------------------|---------------------|---------------------|---------|---------|----------|---------|
|             | DFN                                |         | MSOP                 | SOT-23              |                     | TDFN    |         | TSSOP    |         |
|             | I-Temp.                            | E-Temp. |                      | I-Temp.             | E-Temp.             | I-Temp. | E-Temp. | Standard | Rotated |
| 24AA64      | 271                                | —       | 4A64T <sup>(1)</sup> | 7HNN <sup>(2)</sup> | 7WNN <sup>(2)</sup> | A71     | E10     | 4AB      | 4ABX    |
| 24FC64      | 27A                                | —       | 4F64T <sup>(1)</sup> | 7SNN <sup>(2)</sup> | —                   | A7A     | —       | 4FB      | —       |
| 24LC64      | 274                                | 275     | 4L64T <sup>(1)</sup> | 7GNN <sup>(2)</sup> | 7JNN <sup>(2)</sup> | A74     | A75     | 4LB      | 4LBX    |

**Note 1:** T = Temperature grade (I, E)

**Note 2:** NN = Alphanumeric traceability code

|                |        |  |
|----------------|--------|--|
| <b>Legend:</b> | XX...X | Part number or part number code                                  |
|                | T      | Temperature (I, E)   |
|                | Y      | Year code (last digit of calendar year)                          |
|                | YY     | Year code (last 2 digits of calendar year)                       |
|                | WW     | Week code (week of January 1 is week '01')                       |
|                | NNN    | Alphanumeric traceability code (2 characters for small packages) |
|                | (e3)   | JEDEC <sup>®</sup> designator for Matte Tin (Sn)                 |

\* Standard OTP marking consists of Microchip part number, year code, week code and traceability code.

**Note:** For very small packages with no room for the JEDEC<sup>®</sup> designator (e3), the marking will only appear on the outer carton or reel label.

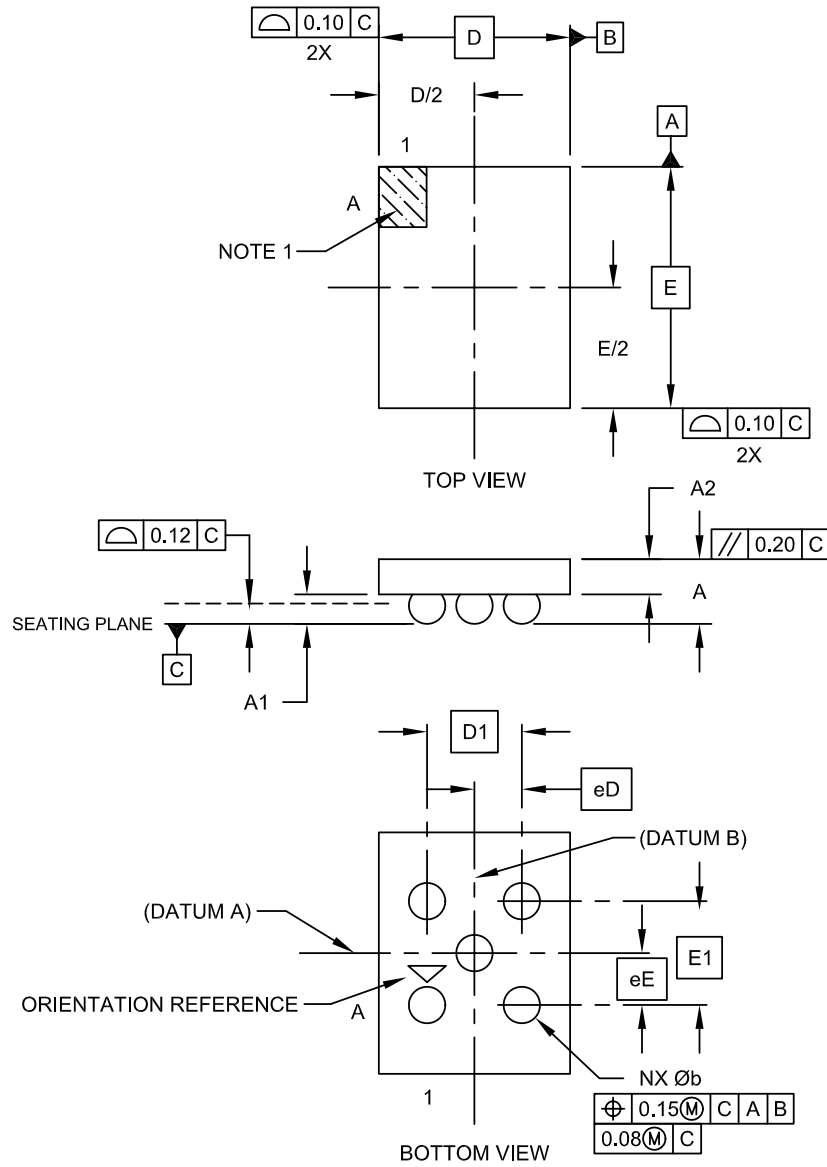
**Note:** In the event the full Microchip part number cannot be marked on one line, it will be carried over to the next line, thus limiting the number of available characters for customer-specific information.



# 24AA64/24FC64/24LC64

## 5-Lead Chip Scale Package (CS) - [CSP]

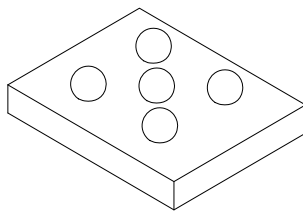
**Note:** For the most current package drawings, please see the Microchip Packaging Specification located at <http://www.microchip.com/packaging>



# 24AA64/24FC64/24LC64

## 5-Lead Chip Scale Package (CS) - [CSP]

**Note:** For the most current package drawings, please see the Microchip Packaging Specification located at <http://www.microchip.com/packaging>



|                         |    | Units     | MILLIMETERS |      |  |
|-------------------------|----|-----------|-------------|------|--|
| Dimension Limits        |    | MIN       | NOM         | MAX  |  |
| Number of Contacts      | N  |           | 5           |      |  |
| Adjacent Column X-Pitch | E1 | 0.570 BSC |             |      |  |
| Adjacent Row Y-Pitch    | D1 | 0.520 BSC |             |      |  |
| Adjacent Column X-Pitch | eE | 0.285 BSC |             |      |  |
| Adjacent Row Y-Pitch    | eD | 0.260 BSC |             |      |  |
| Overall Height          | A  | 0.47      | 0.51        | 0.55 |  |
| Die Height              | A2 | 0.33      | 0.35        | 0.37 |  |
| Bump Height             | A1 | 0.14      | 0.16        | 0.18 |  |
| Overall Length          | E  | NOTE 4    |             |      |  |
| Overall Width           | D  | NOTE 4    |             |      |  |
| Ball Diameter           | b  | 0.18      | 0.20        | 0.22 |  |

Notes:

1. Orientation reference feature may vary, but must be located within the hatched area.
2. Package is saw singulated.
3. Dimensioning and tolerancing per ASME Y14.5M.

BSC: Basic Dimension. Theoretically exact value shown without tolerances.

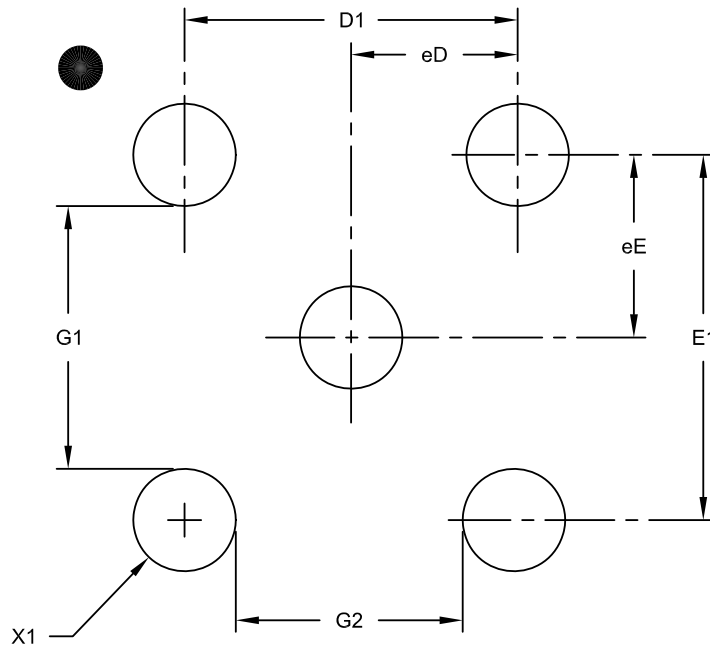
REF: Reference Dimension, usually without tolerance, for information purposes only.

4. Package size varies with specific devices. Please see the specific Product Data Sheet.

Microchip Technology Drawing C04-6004D Sheet 2 of 2

## 5-Lead Chip Scale Package (CS) - [CSP]

**Note:** For the most current package drawings, please see the Microchip Packaging Specification located at <http://www.microchip.com/packaging>



RECOMMENDED LAND PATTERN

| Dimension Limits          | Units | MILLIMETERS |       |      |
|---------------------------|-------|-------------|-------|------|
|                           |       | MIN         | NOM   | MAX  |
| Number of Contacts        | N     | 5           |       |      |
| Contact Pitch Y           | eE    |             | 0.285 |      |
| Contact Pitch X           | eD    |             | 0.260 |      |
| Contact Pad Spacing       | E1    |             | 0.570 |      |
| Contact Pad Spacing       | D1    |             | 0.520 |      |
| Contact Pad Diameter (X5) | X1    |             |       | 0.20 |
| Distance Between Pads     | G1    | 0.41        |       |      |
| Distance Between Pads     | G2    | 0.36        |       |      |

**Notes:**

1. Dimensioning and tolerancing per ASME Y14.5M

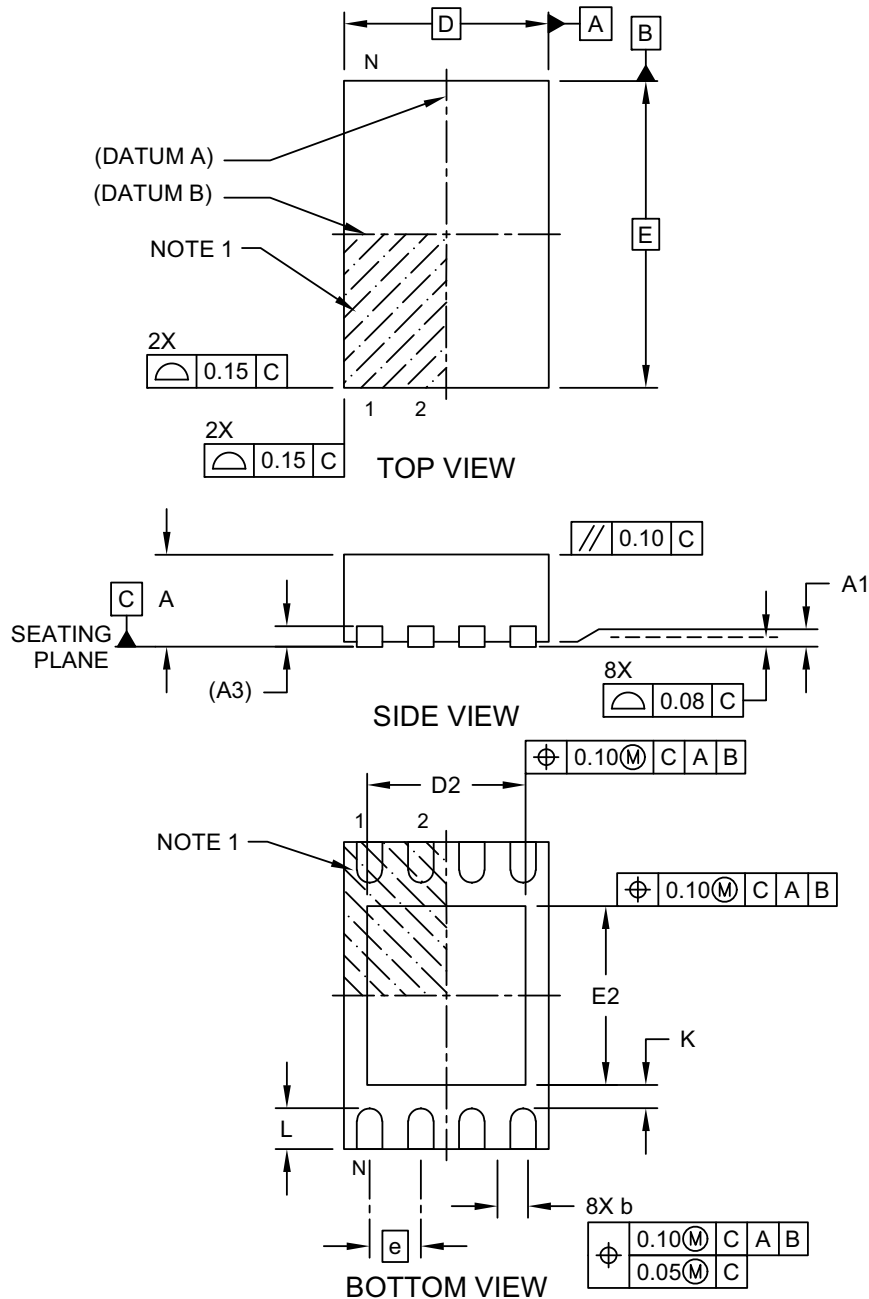
BSC: Basic Dimension. Theoretically exact value shown without tolerances.

Microchip Technology Drawing No. C04-8004A

# 24AA64/24FC64/24LC64

## 8-Lead Plastic Dual Flat, No Lead Package (MC) - 2x3x1 mm Body [DFN]

**Note:** For the most current package drawings, please see the Microchip Packaging Specification located at <http://www.microchip.com/packaging>

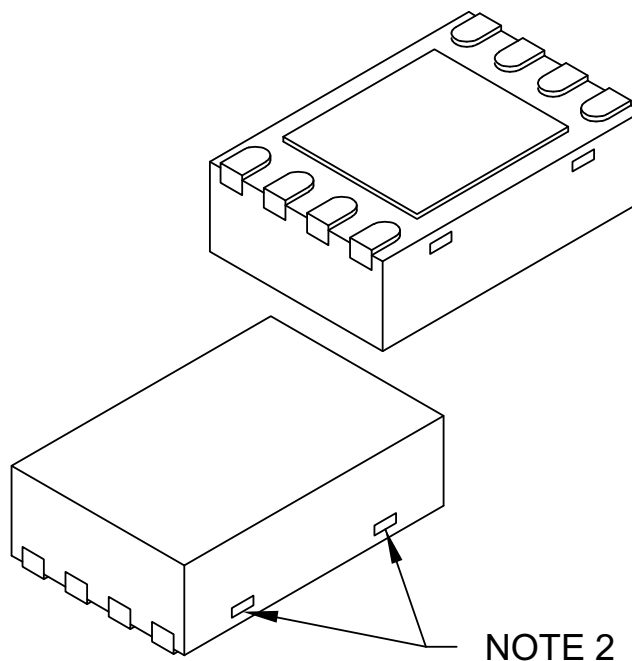


Microchip Technology Drawing C04-123 Rev E Sheet 1 of 2

# 24AA64/24FC64/24LC64

## 8-Lead Plastic Dual Flat, No Lead Package (MC) - 2x3x1 mm Body [DFN]

**Note:** For the most current package drawings, please see the Microchip Packaging Specification located at <http://www.microchip.com/packaging>



| Dimension Limits        | Units | MILLIMETERS |      |      |
|-------------------------|-------|-------------|------|------|
|                         |       | MIN         | NOM  | MAX  |
| Number of Terminals     | N     | 8           |      |      |
| Pitch                   | e     | 0.50 BSC    |      |      |
| Overall Height          | A     | 0.80        | 0.90 | 1.00 |
| Standoff                | A1    | 0.00        | 0.02 | 0.05 |
| Terminal Thickness      | A3    | 0.20 REF    |      |      |
| Overall Length          | D     | 2.00 BSC    |      |      |
| Exposed Pad Length      | D2    | 1.30        | -    | 1.55 |
| Overall Width           | E     | 3.00 BSC    |      |      |
| Exposed Pad Width       | E2    | 1.50        | -    | 1.75 |
| Terminal Width          | b     | 0.20        | 0.25 | 0.30 |
| Terminal Length         | L     | 0.30        | 0.40 | 0.50 |
| Terminal-to-Exposed-Pad | K     | 0.20        | -    | -    |

**Notes:**

1. Pin 1 visual index feature may vary, but must be located within the hatched area.
2. Package may have one or more exposed tie bars at ends.
3. Package is saw singulated
4. Dimensioning and tolerancing per ASME Y14.5M

BSC: Basic Dimension. Theoretically exact value shown without tolerances.

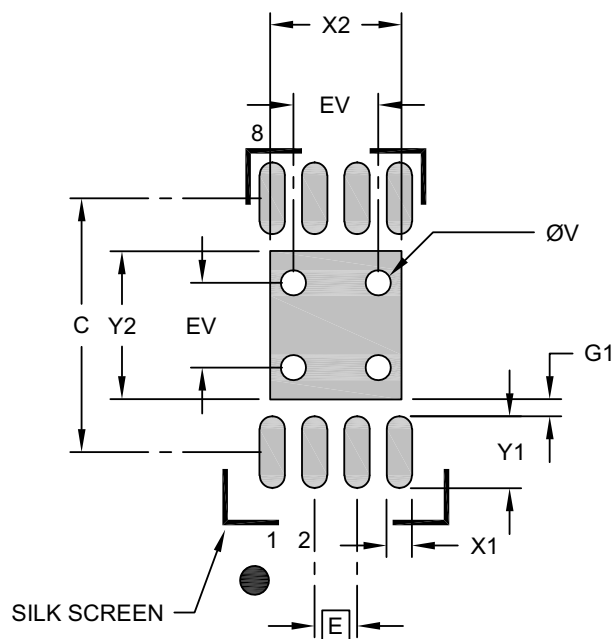
REF: Reference Dimension, usually without tolerance, for information purposes only.

Microchip Technology Drawing C04-123 Rev E Sheet 2 of 2

# 24AA64/24FC64/24LC64

## 8-Lead Plastic Dual Flat, No Lead Package (MC) - 2x3x1 mm Body [DFN]

**Note:** For the most current package drawings, please see the Microchip Packaging Specification located at <http://www.microchip.com/packaging>



### RECOMMENDED LAND PATTERN

| Dimension Limits               | Units | MILLIMETERS |      |      |
|--------------------------------|-------|-------------|------|------|
|                                |       | MIN         | NOM  | MAX  |
| Contact Pitch                  | E     | 0.50 BSC    |      |      |
| Optional Center Pad Width      | X2    |             |      | 1.55 |
| Optional Center Pad Length     | Y2    |             |      | 1.75 |
| Contact Pad Spacing            | C     |             | 3.00 |      |
| Contact Pad Width (X8)         | X1    |             |      | 0.30 |
| Contact Pad Length (X8)        | Y1    |             |      | 0.85 |
| Contact Pad to Center Pad (X8) | G1    | 0.20        |      |      |
| Thermal Via Diameter           | V     |             | 0.30 |      |
| Thermal Via Pitch              | EV    |             | 1.00 |      |

#### Notes:

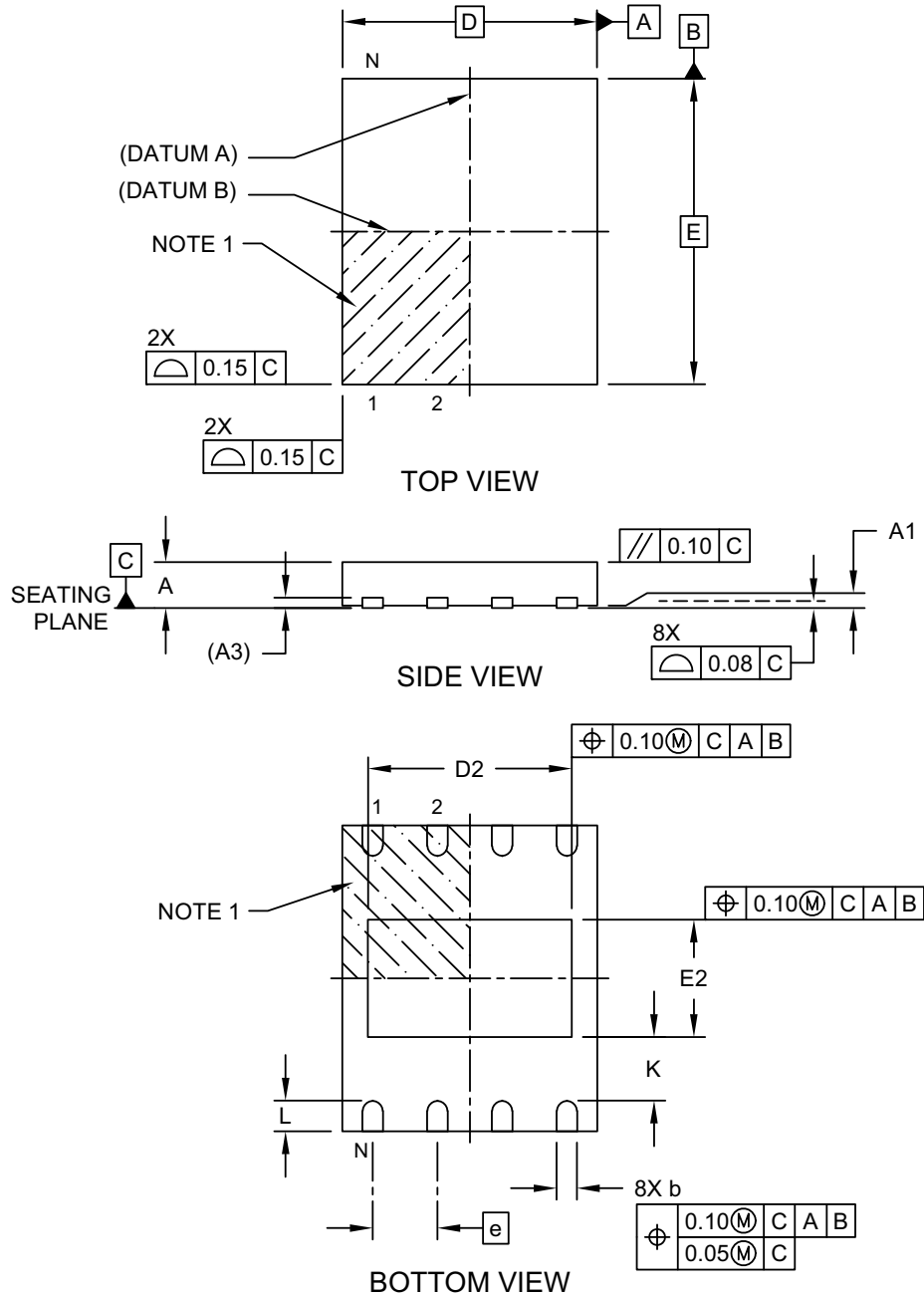
- Dimensioning and tolerancing per ASME Y14.5M  
BSC: Basic Dimension. Theoretically exact value shown without tolerances.
- For best soldering results, thermal vias, if used, should be filled or tented to avoid solder loss during reflow process

Microchip Technology Drawing C04-2123 Rev E

# 24AA64/24FC64/24LC64

## 8-Lead Plastic Dual Flat, No Lead Package (MF) - 6x5 mm Body [DFN-S] Saw Singulated

**Note:** For the most current package drawings, please see the Microchip Packaging Specification located at <http://www.microchip.com/packaging>

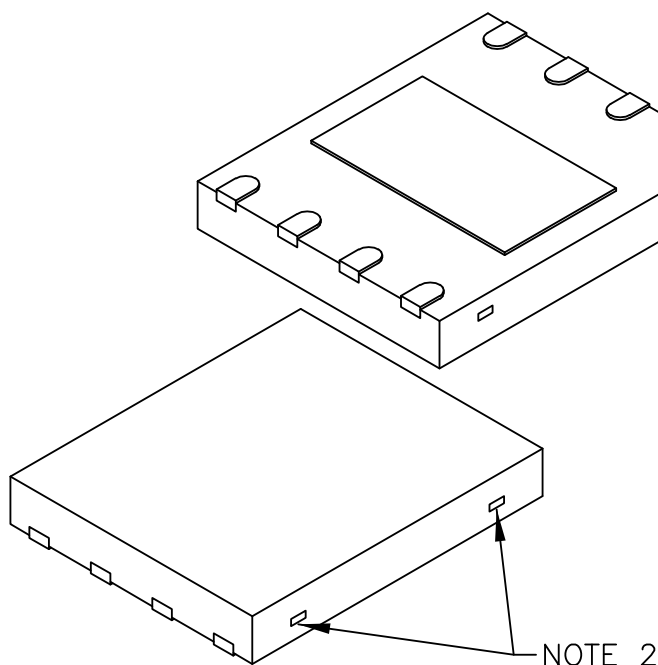


Microchip Technology Drawing C04-122 Rev C Sheet 1 of 2

# 24AA64/24FC64/24LC64

## 8-Lead Plastic Dual Flat, No Lead Package (MF) - 6x5 mm Body [DFN-S] Saw Singulated

**Note:** For the most current package drawings, please see the Microchip Packaging Specification located at <http://www.microchip.com/packaging>



| Dimension Limits        | Units | MILLIMETERS |      |      |
|-------------------------|-------|-------------|------|------|
|                         |       | MIN         | NOM  | MAX  |
| Number of Terminals     | N     | 8           |      |      |
| Pitch                   | e     | 1.27 BSC    |      |      |
| Overall Height          | A     | 0.80        | 0.85 | 1.00 |
| Standoff                | A1    | 0.00        | 0.02 | 0.05 |
| Terminal Thickness      | A3    | 0.20 REF    |      |      |
| Overall Length          | D     | 5.00 BSC    |      |      |
| Exposed Pad Length      | D2    | 3.90        | 4.00 | 4.10 |
| Overall Width           | E     | 6.00 BSC    |      |      |
| Exposed Pad Width       | E2    | 2.20        | 2.30 | 2.40 |
| Terminal Width          | b     | 0.30        | 0.40 | 0.50 |
| Terminal Length         | L     | 0.50        | 0.60 | 0.75 |
| Terminal-to-Exposed-Pad | K     | 0.20        | -    | -    |

**Notes:**

1. Pin 1 visual index feature may vary, but must be located within the hatched area.
2. Package may have one or more exposed tie bars at ends.
3. Package is saw singulated
4. Dimensioning and tolerancing per ASME Y14.5M  
BSC: Basic Dimension. Theoretically exact value shown without tolerances.  
REF: Reference Dimension, usually without tolerance, for information purposes only.

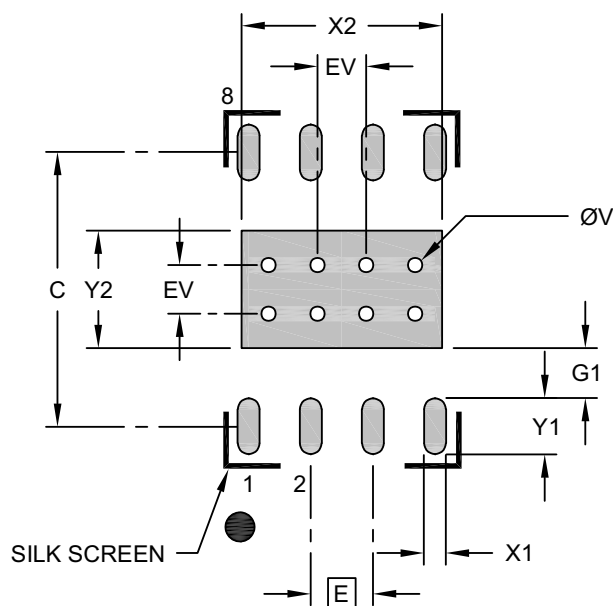
Microchip Technology Drawing C04-122 Rev C Sheet 2 of 2



# 24AA64/24FC64/24LC64

## 8-Lead Plastic Dual Flat, No Lead Package (MF) - 6x5 mm Body [DFN-S] Saw Singulated

**Note:** For the most current package drawings, please see the Microchip Packaging Specification located at <http://www.microchip.com/packaging>



### RECOMMENDED LAND PATTERN

| Dimension Limits                | Units | MILLIMETERS |      |      |
|---------------------------------|-------|-------------|------|------|
|                                 |       | MIN         | NOM  | MAX  |
| Contact Pitch                   | E     | 1.27 BSC    |      |      |
| Optional Center Pad Width       | X2    |             |      | 2.40 |
| Optional Center Pad Length      | Y2    |             |      | 4.10 |
| Contact Pad Spacing             | C     |             | 5.60 |      |
| Contact Pad Width (X20)         | X1    |             |      | 0.45 |
| Contact Pad Length (X20)        | Y1    |             |      | 1.15 |
| Contact Pad to Center Pad (X20) | G1    | 0.20        |      |      |
| Thermal Via Diameter            | V     |             | 0.30 |      |
| Thermal Via Pitch               | EV    |             | 1.00 |      |

#### Notes:

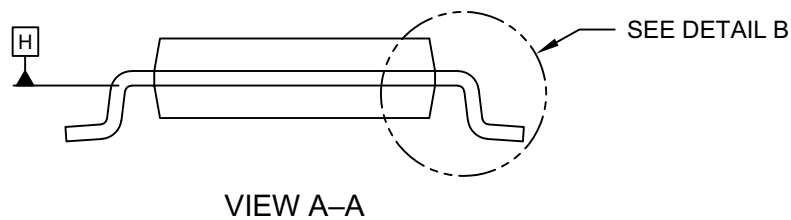
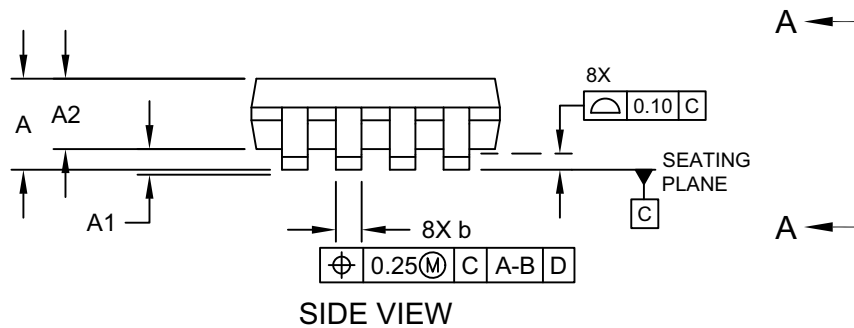
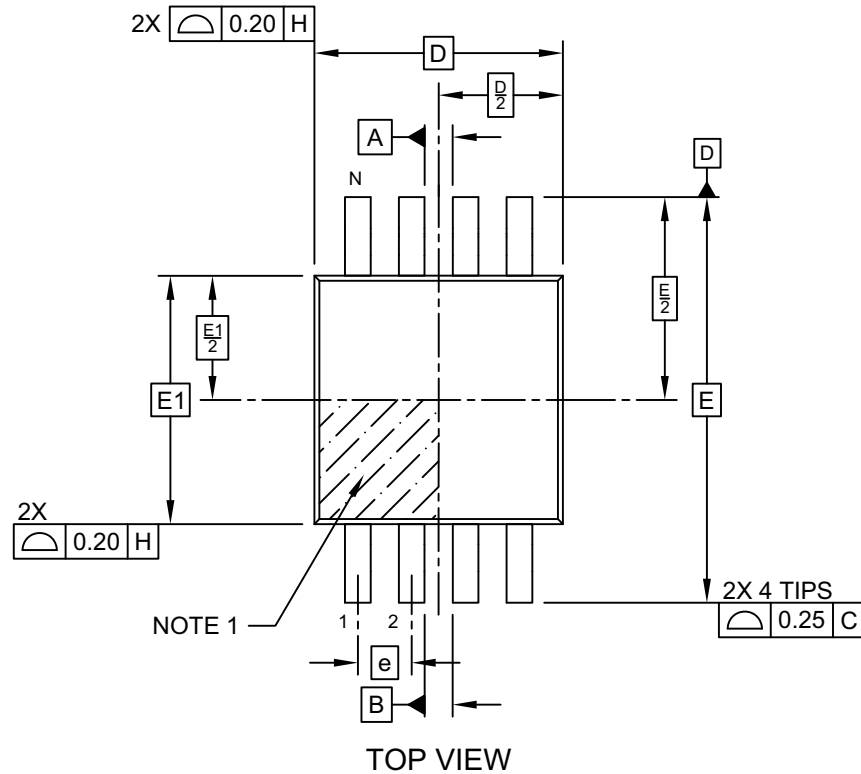
- Dimensioning and tolerancing per ASME Y14.5M  
BSC: Basic Dimension. Theoretically exact value shown without tolerances.
- For best soldering results, thermal vias, if used, should be filled or tented to avoid solder loss during reflow process

Microchip Technology Drawing C04-2122 Rev C

# 24AA64/24FC64/24LC64

## 8-Lead Plastic Micro Small Outline Package (MS) - 3x3 mm Body [MSOP]

**Note:** For the most current package drawings, please see the Microchip Packaging Specification located at <http://www.microchip.com/packaging>

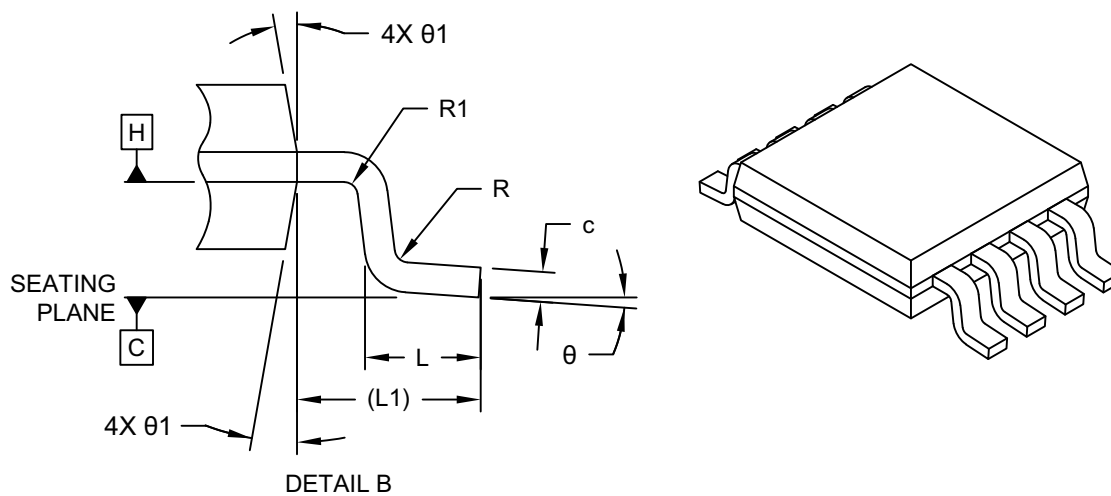


Microchip Technology Drawing C04-111-MS Rev D Sheet 1 of 2

# 24AA64/24FC64/24LC64

## 8-Lead Plastic Micro Small Outline Package (MS) - 3x3 mm Body [MSOP]

**Note:** For the most current package drawings, please see the Microchip Packaging Specification located at <http://www.microchip.com/packaging>



| Dimension Limits         | Units | MILLIMETERS |      |      |
|--------------------------|-------|-------------|------|------|
|                          |       | MIN         | NOM  | MAX  |
| Number of Terminals      | N     | 8           |      |      |
| Pitch                    | e     | 0.65 BSC    |      |      |
| Overall Height           | A     | –           | –    | 1.10 |
| Standoff                 | A1    | 0.00        | –    | 0.15 |
| Molded Package Thickness | A2    | 0.75        | 0.85 | 0.95 |
| Overall Length           | D     | 3.00 BSC    |      |      |
| Overall Width            | E     | 4.90 BSC    |      |      |
| Molded Package Width     | E1    | 3.00 BSC    |      |      |
| Terminal Width           | b     | 0.22        | –    | 0.40 |
| Terminal Thickness       | c     | 0.08        | –    | 0.23 |
| Terminal Length          | L     | 0.40        | 0.60 | 0.80 |
| Footprint                | L1    | 0.95 REF    |      |      |
| Lead Bend Radius         | R     | 0.07        | –    | –    |
| Lead Bend Radius         | R1    | 0.07        | –    | –    |
| Foot Angle               | θ     | 0°          | –    | 8°   |
| Mold Draft Angle         | θ1    | 5°          | –    | 15°  |

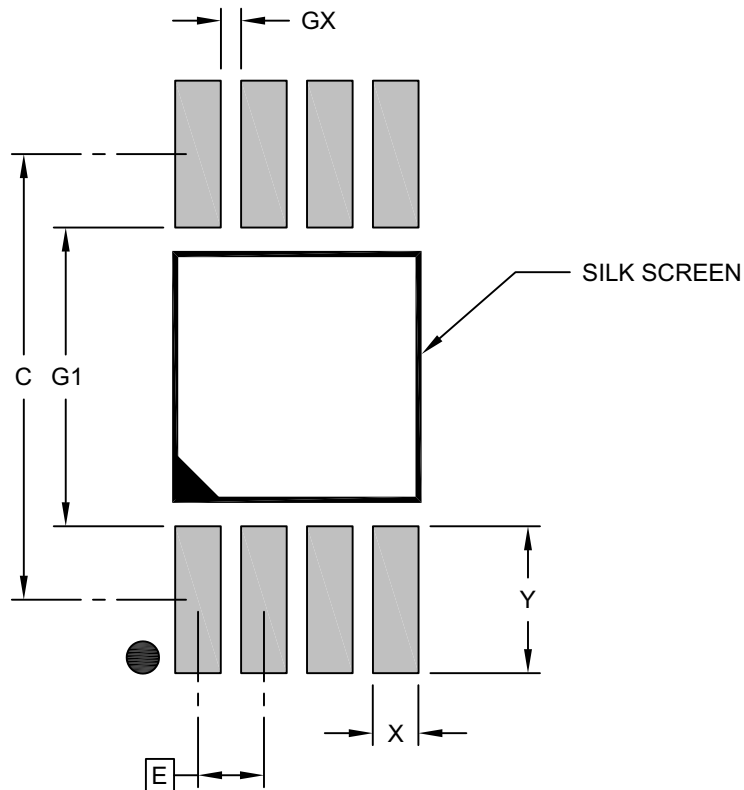
**Notes:**

- Pin 1 visual index feature may vary, but must be located within the hatched area.
- Dimensions D and E1 do not include mold flash or protrusions. Mold flash or protrusions shall not exceed 0.15mm per side.
- Dimensioning and tolerancing per ASME Y14.5M  
 BSC: Basic Dimension. Theoretically exact value shown without tolerances.  
 REF: Reference Dimension, usually without tolerance, for information purposes only.

# 24AA64/24FC64/24LC64

## 8-Lead Plastic Micro Small Outline Package (MS) - 3x3 mm Body [MSOP]

**Note:** For the most current package drawings, please see the Microchip Packaging Specification located at <http://www.microchip.com/packaging>



### RECOMMENDED LAND PATTERN

| Dimension Limits                | Units | MILLIMETERS |      |      |
|---------------------------------|-------|-------------|------|------|
|                                 |       | MIN         | NOM  | MAX  |
| Contact Pitch                   | E     | 0.65 BSC    |      |      |
| Contact Pad Spacing             | C     |             | 4.40 |      |
| Contact Pad Width (X8)          | X     |             |      | 0.45 |
| Contact Pad Length (X8)         | Y     |             |      | 1.45 |
| Contact Pad to Contact Pad (X4) | G1    | 2.95        |      |      |
| Contact Pad to Contact Pad (X6) | GX    | 0.20        |      |      |

**Notes:**

1. Dimensioning and tolerancing per ASME Y14.5M

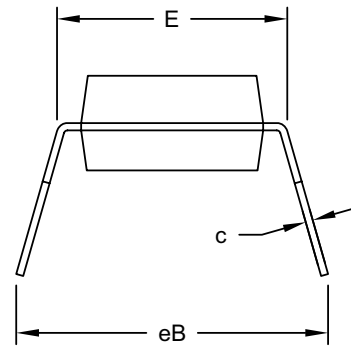
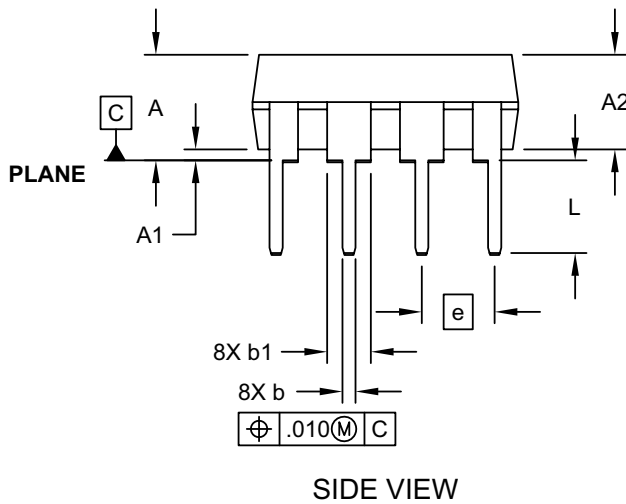
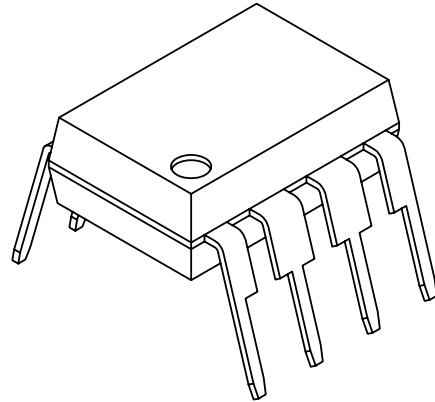
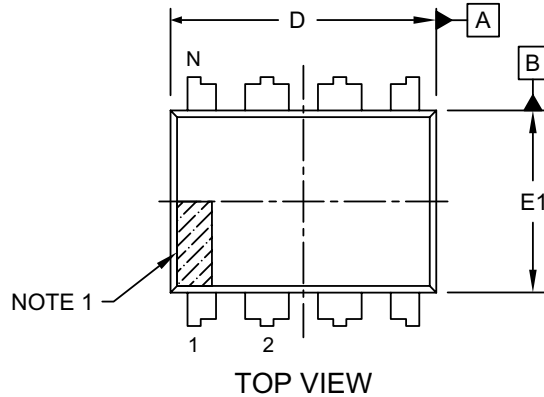
BSC: Basic Dimension. Theoretically exact value shown without tolerances.

Microchip Technology Drawing C04-2111-MS Rev D

# 24AA64/24FC64/24LC64

## 8-Lead Plastic Dual In-Line (P) - 300 mil Body [PDIP]

**Note:** For the most current package drawings, please see the Microchip Packaging Specification located at <http://www.microchip.com/packaging>



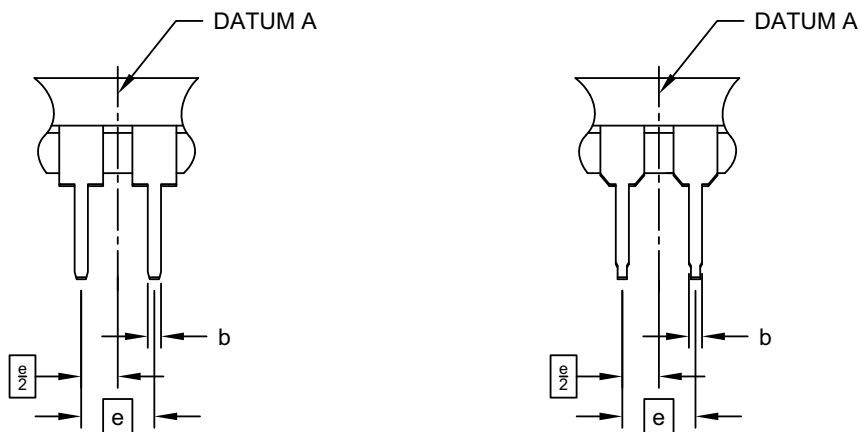
Microchip Technology Drawing No. C04-018-P Rev E Sheet 1 of 2

# 24AA64/24FC64/24LC64

## 8-Lead Plastic Dual In-Line (P) - 300 mil Body [PDIP]

**Note:** For the most current package drawings, please see the Microchip Packaging Specification located at <http://www.microchip.com/packageing>

### ALTERNATE LEAD DESIGN (NOTE 5)



| Dimension Limits           | Units | INCHES   |      |      |
|----------------------------|-------|----------|------|------|
|                            |       | MIN      | NOM  | MAX  |
| Number of Pins             | N     | 8        |      |      |
| Pitch                      | e     | .100 BSC |      |      |
| Top to Seating Plane       | A     | -        | -    | .210 |
| Molded Package Thickness   | A2    | .115     | .130 | .195 |
| Base to Seating Plane      | A1    | .015     | -    | -    |
| Shoulder to Shoulder Width | E     | .290     | .310 | .325 |
| Molded Package Width       | E1    | .240     | .250 | .280 |
| Overall Length             | D     | .348     | .365 | .400 |
| Tip to Seating Plane       | L     | .115     | .130 | .150 |
| Lead Thickness             | c     | .008     | .010 | .015 |
| Upper Lead Width           | b1    | .040     | .060 | .070 |
| Lower Lead Width           | b     | .014     | .018 | .022 |
| Overall Row Spacing        | §     | eB       | -    | .430 |

**Notes:**

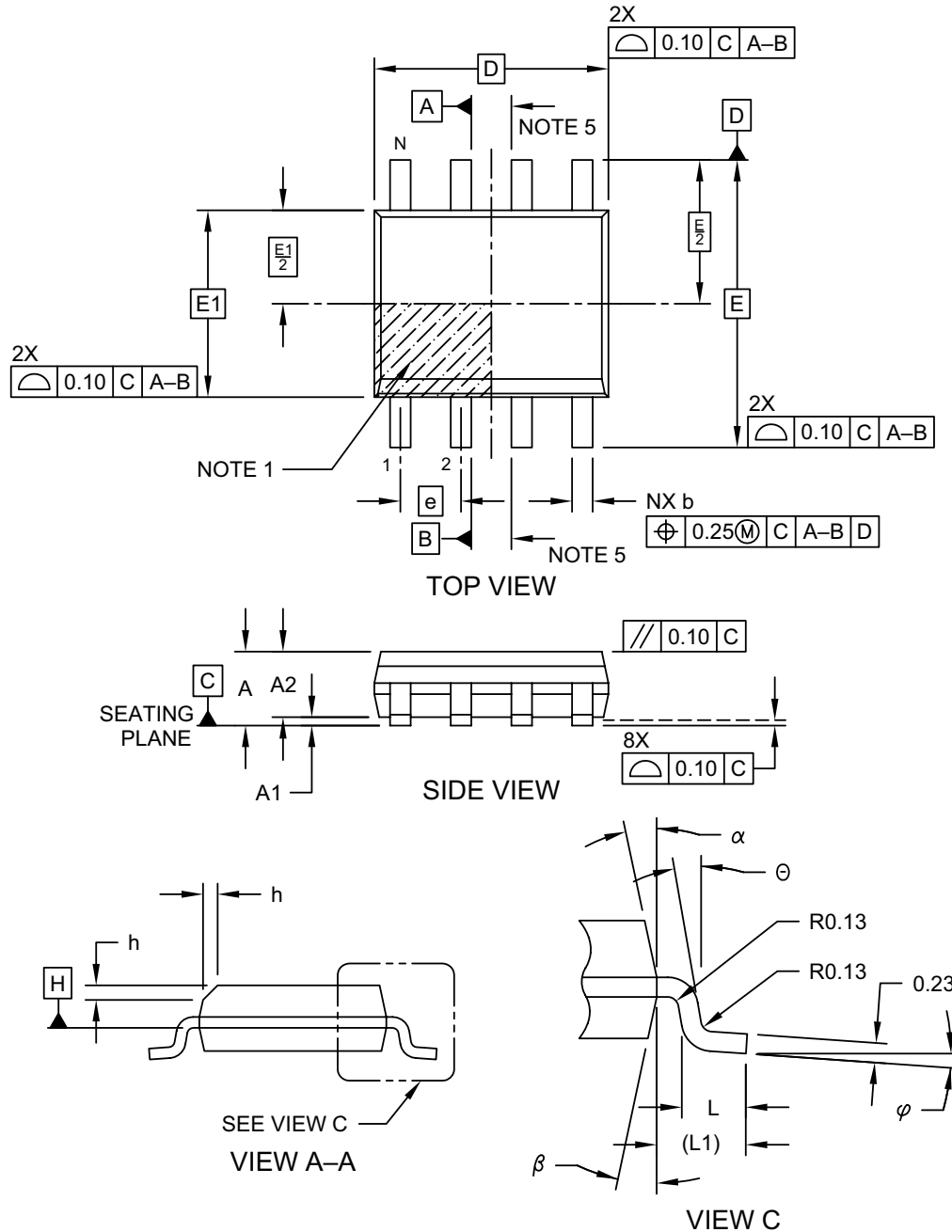
1. Pin 1 visual index feature may vary, but must be located within the hatched area.
2. § Significant Characteristic
3. Dimensions D and E1 do not include mold flash or protrusions. Mold flash or protrusions shall not exceed .010" per side.
4. Dimensioning and tolerancing per ASME Y14.5M  
BSC: Basic Dimension. Theoretically exact value shown without tolerances.
5. Lead design above seating plane may vary, based on assembly vendor.

Microchip Technology Drawing No. C04-018-P Rev E Sheet 2 of 2

# 24AA64/24FC64/24LC64

## 8-Lead Plastic Small Outline (SN) - Narrow, 3.90 mm (.150 In.) Body [SOIC]

**Note:** For the most current package drawings, please see the Microchip Packaging Specification located at <http://www.microchip.com/packaging>

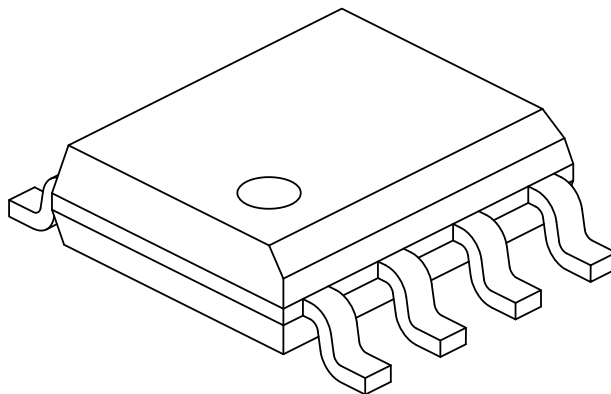


Microchip Technology Drawing No. C04-057-SN Rev F Sheet 1 of 2

# 24AA64/24FC64/24LC64

## 8-Lead Plastic Small Outline (SN) - Narrow, 3.90 mm (.150 In.) Body [SOIC]

**Note:** For the most current package drawings, please see the Microchip Packaging Specification located at <http://www.microchip.com/packaging>



| Dimension Limits         | Units     | MILLIMETERS |     |      |
|--------------------------|-----------|-------------|-----|------|
|                          |           | MIN         | NOM | MAX  |
| Number of Pins           | N         | 8           |     |      |
| Pitch                    | e         | 1.27 BSC    |     |      |
| Overall Height           | A         | -           | -   | 1.75 |
| Molded Package Thickness | A2        | 1.25        | -   | -    |
| Standoff §               | A1        | 0.10        | -   | 0.25 |
| Overall Width            | E         | 6.00 BSC    |     |      |
| Molded Package Width     | E1        | 3.90 BSC    |     |      |
| Overall Length           | D         | 4.90 BSC    |     |      |
| Chamfer (Optional)       | h         | 0.25        | -   | 0.50 |
| Foot Length              | L         | 0.40        | -   | 1.27 |
| Footprint                | L1        | 1.04 REF    |     |      |
| Foot Angle               | $\varphi$ | 0°          | -   | 8°   |
| Lead Thickness           | c         | 0.17        | -   | 0.25 |
| Lead Width               | b         | 0.31        | -   | 0.51 |
| Mold Draft Angle Top     | $\alpha$  | 5°          | -   | 15°  |
| Mold Draft Angle Bottom  | $\beta$   | 5°          | -   | 15°  |

**Notes:**

1. Pin 1 visual index feature may vary, but must be located within the hatched area.
2. § Significant Characteristic
3. Dimensions D and E1 do not include mold flash or protrusions. Mold flash or protrusions shall not exceed 0.15mm per side.
4. Dimensioning and tolerancing per ASME Y14.5M  
BSC: Basic Dimension. Theoretically exact value shown without tolerances.  
REF: Reference Dimension, usually without tolerance, for information purposes only.
5. Datums A & B to be determined at Datum H.

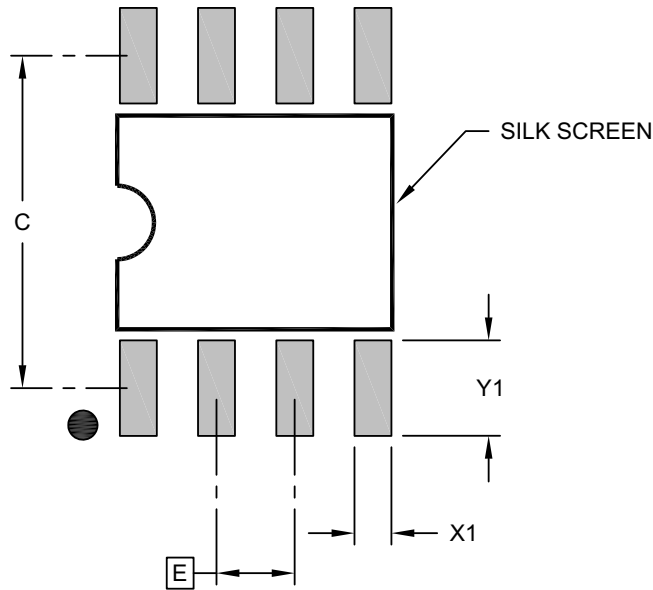
Microchip Technology Drawing No. C04-057-SN Rev F Sheet 2 of 2



# 24AA64/24FC64/24LC64

## 8-Lead Plastic Small Outline (SN) - Narrow, 3.90 mm (.150 In.) Body [SOIC]

**Note:** For the most current package drawings, please see the Microchip Packaging Specification located at <http://www.microchip.com/packaging>



RECOMMENDED LAND PATTERN

| Dimension Limits        | Units | MILLIMETERS |     |      |
|-------------------------|-------|-------------|-----|------|
|                         |       | MIN         | NOM | MAX  |
| Contact Pitch           | E     | 1.27 BSC    |     |      |
| Contact Pad Spacing     | C     | 5.40        |     |      |
| Contact Pad Width (X8)  | X1    |             |     | 0.60 |
| Contact Pad Length (X8) | Y1    |             |     | 1.55 |

Notes:

1. Dimensioning and tolerancing per ASME Y14.5M

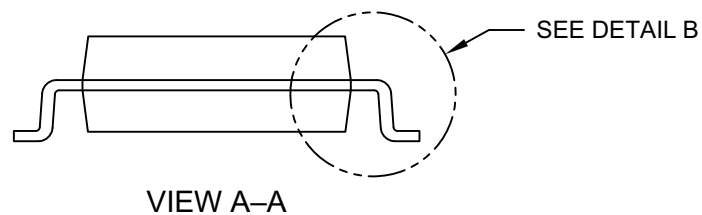
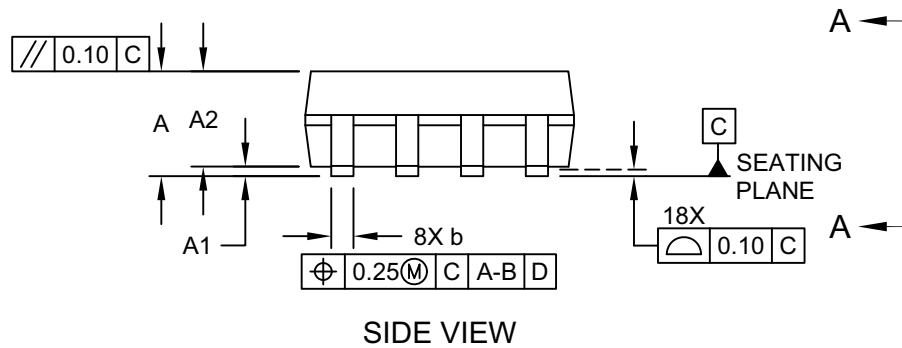
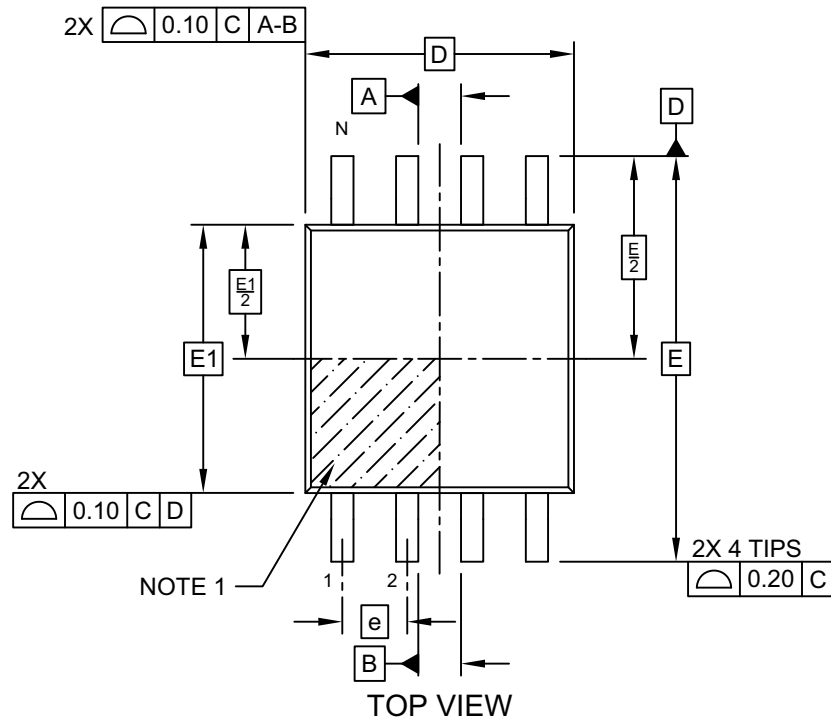
BSC: Basic Dimension. Theoretically exact value shown without tolerances.

Microchip Technology Drawing C04-2057-SN Rev F

# 24AA64/24FC64/24LC64

## 8-Lead Plastic Small Outline (SM) - Medium, 5.28 mm (.208 Inch) Body [SOIJ]

**Note:** For the most current package drawings, please see the Microchip Packaging Specification located at <http://www.microchip.com/packaging>

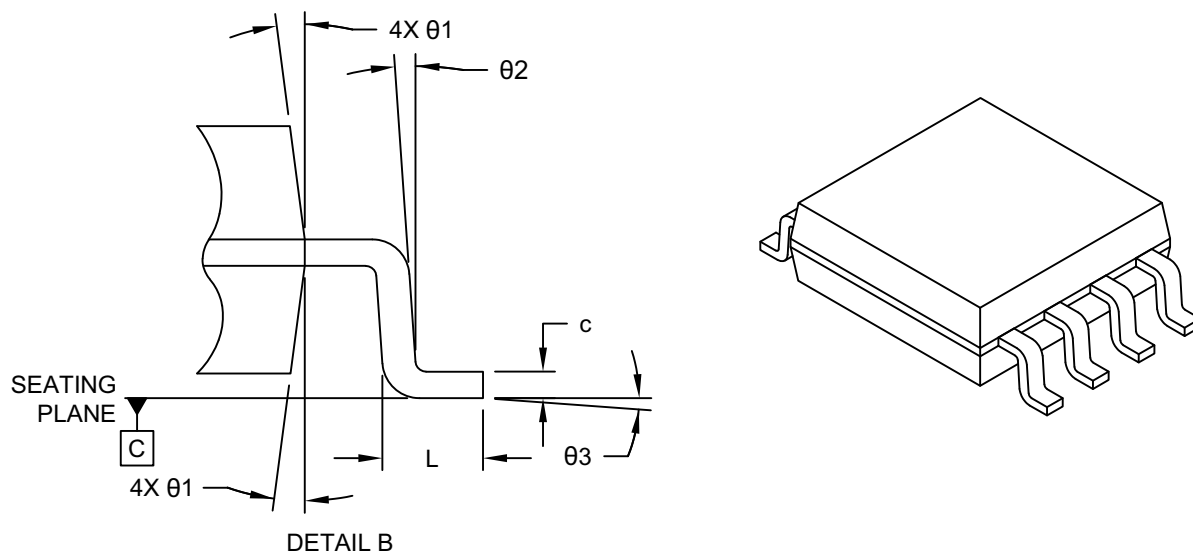


Microchip Technology Drawing C04-056 Rev D Sheet 1 of 2

# 24AA64/24FC64/24LC64

## 8-Lead Plastic Small Outline (SM) - Medium, 5.28 mm (.208 Inch) Body [SOIJ]

**Note:** For the most current package drawings, please see the Microchip Packaging Specification located at <http://www.microchip.com/packaging>



| Dimension                | Units | MILLIMETERS |     |      |
|--------------------------|-------|-------------|-----|------|
|                          |       | MIN         | NOM | MAX  |
| Number of Terminals      | N     | 8           |     |      |
| Pitch                    | e     | 1.27 BSC    |     |      |
| Overall Height           | A     | 1.77        | –   | 2.03 |
| Standoff §               | A1    | 0.05        | –   | 0.25 |
| Molded Package Thickness | A2    | 1.75        | –   | 1.98 |
| Overall Length           | D     | 5.26 BSC    |     |      |
| Overall Width            | E     | 7.94 BSC    |     |      |
| Molded Package Width     | E1    | 5.25 BSC    |     |      |
| Terminal Width           | b     | 0.36        | –   | 0.51 |
| Terminal Thickness       | c     | 0.15        | –   | 0.25 |
| Terminal Length          | L     | 0.51        | –   | 0.76 |
| Foot Angle               | θ1    | 0°          | –   | 8°   |
| Lead Angle               | θ2    | 0°          | –   | 8°   |
| Mold Draft Angle         | θ3    | –           | –   | 15°  |

**Notes:**

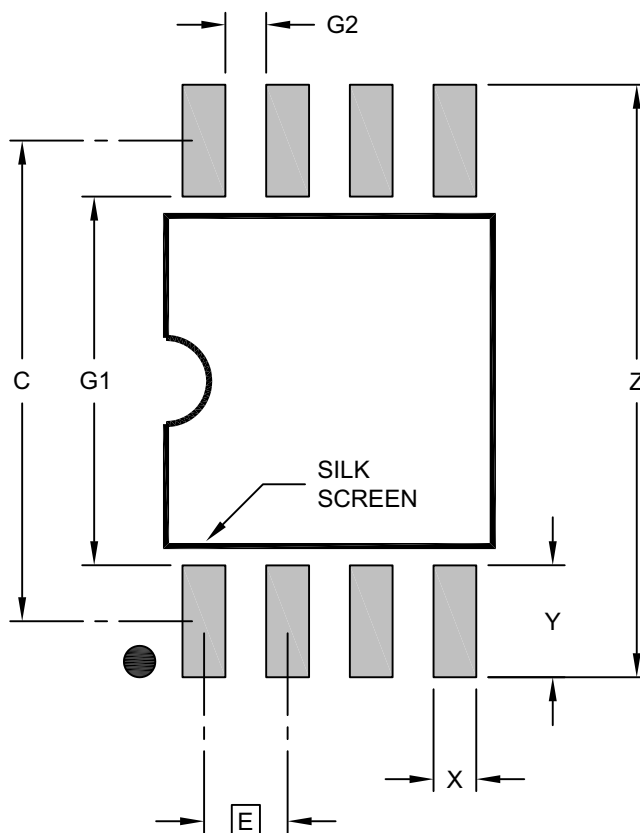
- Pin 1 visual index feature may vary, but must be located within the hatched area.
- SOIJ – JEITA/EIAJ Standard, Formerly called SOIC
- § – Significant Characteristic
- Dimensions D and E1 do not include mold flash or protrusions. Mold flash or protrusions shall not exceed 0.25mm per side.
- Dimensioning and tolerancing per ASME Y14.5M  
BSC: Basic Dimension. Theoretically exact value shown without tolerances.  
REF: Reference Dimension, usually without tolerance, for information purposes only.

Microchip Technology Drawing C04-056 Rev D Sheet 2 of 2

# 24AA64/24FC64/24LC64

## 8-Lead Plastic Small Outline (SM) - Medium, 5.28 mm (.208 Inch) Body [SOIJ]

**Note:** For the most current package drawings, please see the Microchip Packaging Specification located at <http://www.microchip.com/packaging>



### RECOMMENDED LAND PATTERN

| Dimension Limits                | Units | MILLIMETERS |      |      |
|---------------------------------|-------|-------------|------|------|
|                                 |       | MIN         | NOM  | MAX  |
| Contact Pitch                   | E     | 1.27 BSC    |      |      |
| Overall Width                   | Z     |             |      | 9.00 |
| Contact Pad Spacing             | C     |             | 7.30 |      |
| Contact Pad Width (X8)          | X     |             |      | 0.65 |
| Contact Pad Length (X8)         | Y     |             |      | 1.70 |
| Contact Pad to Contact Pad (X4) | G1    | 5.60        |      |      |
| Contact Pad to Contact Pad (X6) | G2    | 0.62        |      |      |

**Notes:**

1. Dimensioning and tolerancing per ASME Y14.5M

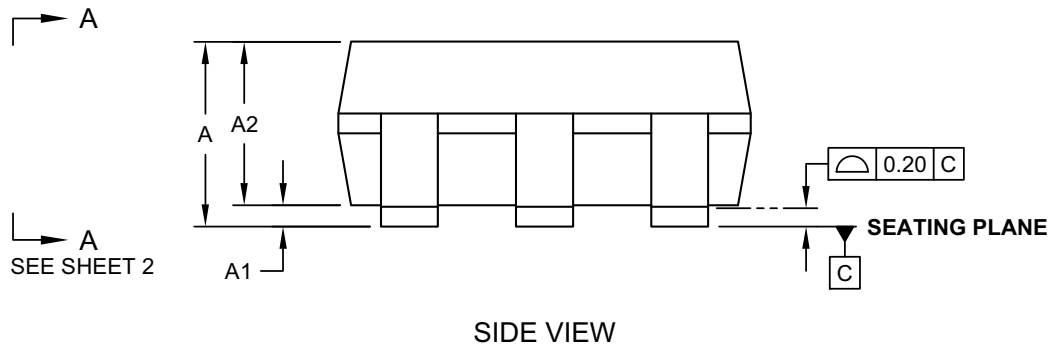
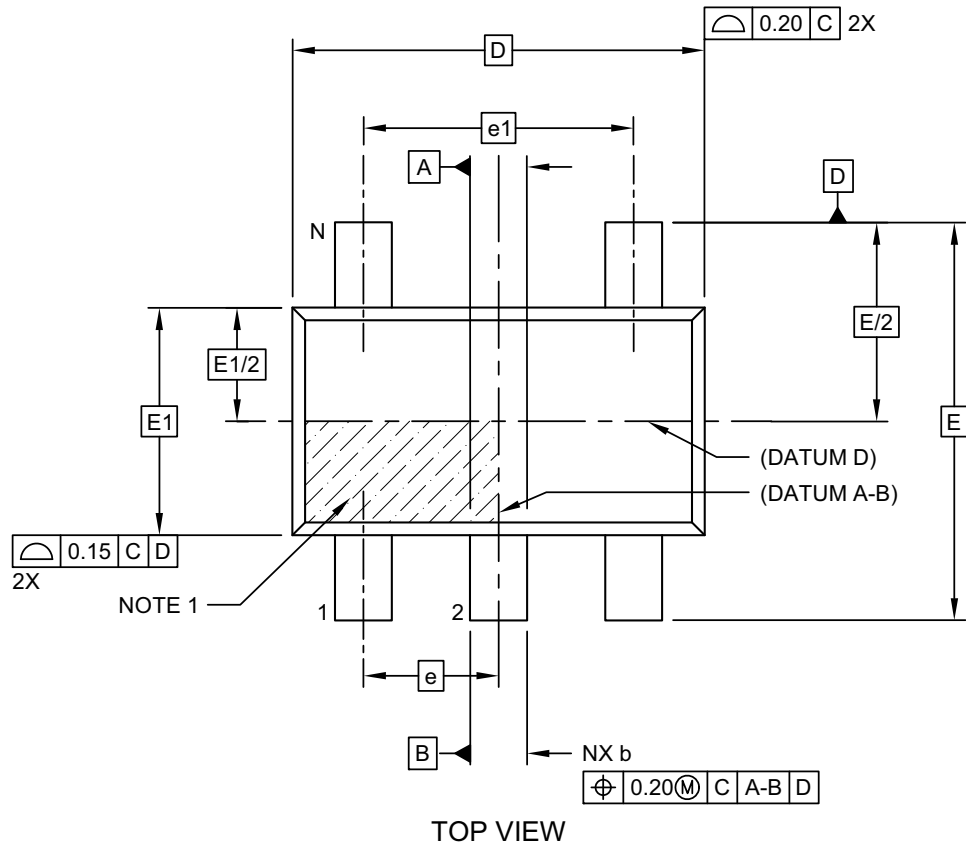
BSC: Basic Dimension. Theoretically exact value shown without tolerances.

Microchip Technology Drawing C04-2056 Rev D

# 24AA64/24FC64/24LC64

## 5-Lead Plastic Small Outline Transistor (OT) [SOT23]

**Note:** For the most current package drawings, please see the Microchip Packaging Specification located at <http://www.microchip.com/packaging>

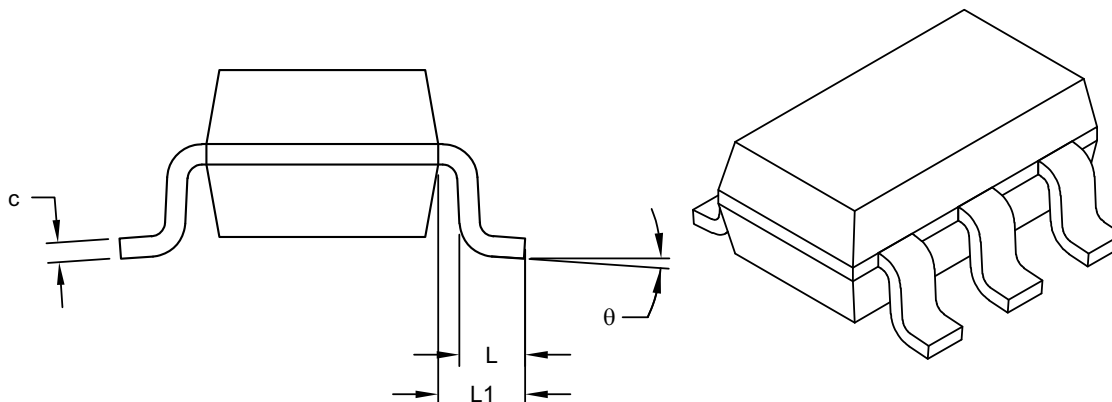


Microchip Technology Drawing C04-091-OT Rev G Sheet 1 of 2

# 24AA64/24FC64/24LC64

## 5-Lead Plastic Small Outline Transistor (OT) [SOT23]

**Note:** For the most current package drawings, please see the Microchip Packaging Specification located at <http://www.microchip.com/packaging>



VIEW A-A  
SHEET 1

| Dimension Limits         | Units | MILLIMETERS |     |      |
|--------------------------|-------|-------------|-----|------|
|                          |       | MIN         | NOM | MAX  |
| Number of Pins           | N     | 5           |     |      |
| Pitch                    | e     | 0.95 BSC    |     |      |
| Outside lead pitch       | e1    | 1.90 BSC    |     |      |
| Overall Height           | A     | 0.90        | -   | 1.45 |
| Molded Package Thickness | A2    | 0.89        | -   | 1.30 |
| Standoff                 | A1    | -           | -   | 0.15 |
| Overall Width            | E     | 2.80 BSC    |     |      |
| Molded Package Width     | E1    | 1.60 BSC    |     |      |
| Overall Length           | D     | 2.90 BSC    |     |      |
| Foot Length              | L     | 0.30        | -   | 0.60 |
| Footprint                | L1    | 0.60 REF    |     |      |
| Foot Angle               | φ     | 0°          | -   | 10°  |
| Lead Thickness           | c     | 0.08        | -   | 0.26 |
| Lead Width               | b     | 0.20        | -   | 0.51 |

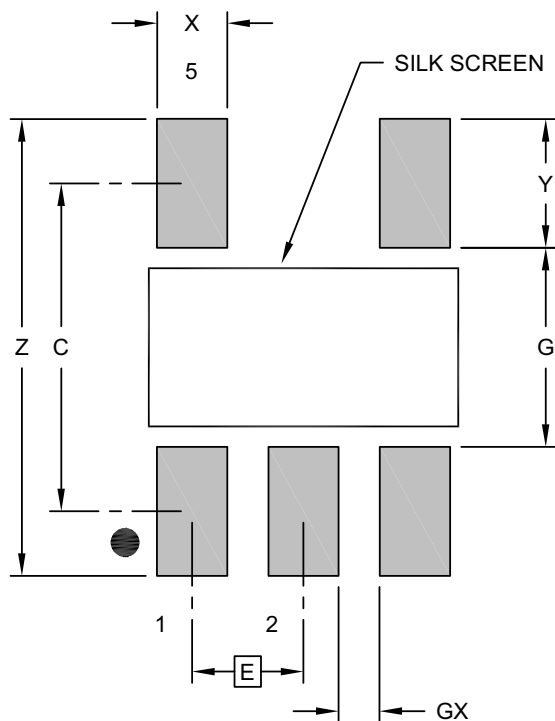
**Notes:**

- Dimensions D and E1 do not include mold flash or protrusions. Mold flash or protrusions shall not exceed 0.25mm per side.
- Dimensioning and tolerancing per ASME Y14.5M  
BSC: Basic Dimension. Theoretically exact value shown without tolerances.  
REF: Reference Dimension, usually without tolerance, for information purposes only.

Microchip Technology Drawing C04-091-OT Rev G Sheet 2 of 2

## 5-Lead Plastic Small Outline Transistor (OT) [SOT23]

**Note:** For the most current package drawings, please see the Microchip Packaging Specification located at <http://www.microchip.com/packaging>



RECOMMENDED LAND PATTERN

| Dimension Limits        | Units | MILLIMETERS |      |      |
|-------------------------|-------|-------------|------|------|
|                         |       | MIN         | NOM  | MAX  |
| Contact Pitch           | E     | 0.95 BSC    |      |      |
| Contact Pad Spacing     | C     |             | 2.80 |      |
| Contact Pad Width (X5)  | X     |             |      | 0.60 |
| Contact Pad Length (X5) | Y     |             |      | 1.10 |
| Distance Between Pads   | G     | 1.70        |      |      |
| Distance Between Pads   | GX    | 0.35        |      |      |
| Overall Width           | Z     |             |      | 3.90 |

**Notes:**

1. Dimensioning and tolerancing per ASME Y14.5M

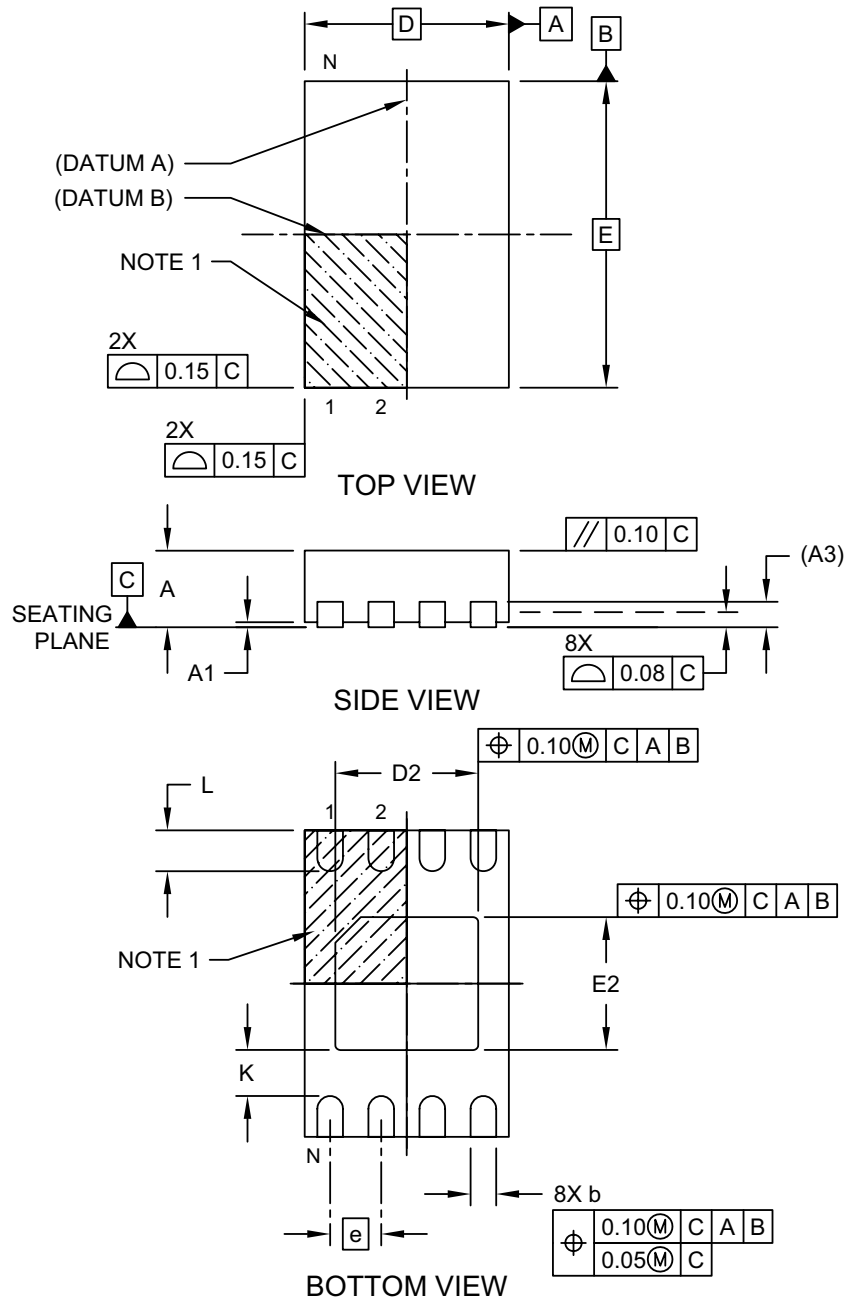
BSC: Basic Dimension. Theoretically exact value shown without tolerances.

Microchip Technology Drawing No. C04-2091-OT Rev G

# 24AA64/24FC64/24LC64

## 8-Lead Plastic Dual Flat, No Lead Package (MN) – 2x3x0.8 mm Body [TDFN] With 1.4x1.3 mm Exposed Pad (JEDEC Package type WDFN)

**Note:** For the most current package drawings, please see the Microchip Packaging Specification located at <http://www.microchip.com/packaging>



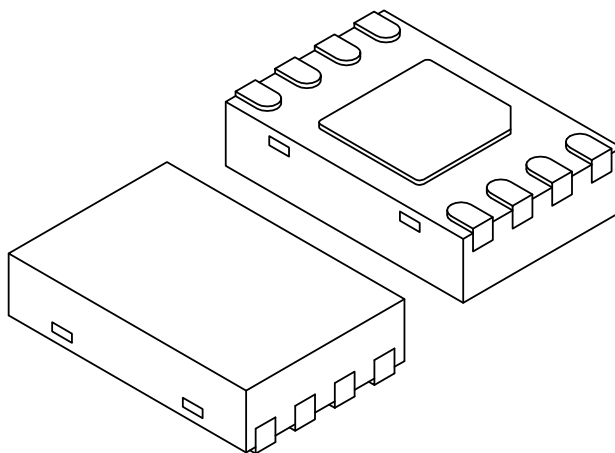
Microchip Technology Drawing No. C04-129-MN Rev E Sheet 1 of 2



# 24AA64/24FC64/24LC64

## 8-Lead Plastic Dual Flat, No Lead Package (MN) – 2x3x0.8 mm Body [TDFN] With 1.4x1.3 mm Exposed Pad (JEDEC Package type WDFN)

**Note:** For the most current package drawings, please see the Microchip Packaging Specification located at <http://www.microchip.com/packaging>



| Dimension Limits       | Units | MILLIMETERS |      |      |
|------------------------|-------|-------------|------|------|
|                        |       | MIN         | NOM  | MAX  |
| Number of Pins         | N     | 8           |      |      |
| Pitch                  | e     | 0.50 BSC    |      |      |
| Overall Height         | A     | 0.70        | 0.75 | 0.80 |
| Standoff               | A1    | 0.00        | 0.02 | 0.05 |
| Contact Thickness      | A3    | 0.20 REF    |      |      |
| Overall Length         | D     | 2.00 BSC    |      |      |
| Overall Width          | E     | 3.00 BSC    |      |      |
| Exposed Pad Length     | D2    | 1.35        | 1.40 | 1.45 |
| Exposed Pad Width      | E2    | 1.25        | 1.30 | 1.35 |
| Contact Width          | b     | 0.20        | 0.25 | 0.30 |
| Contact Length         | L     | 0.25        | 0.30 | 0.45 |
| Contact-to-Exposed Pad | K     | 0.20        | -    | -    |

### Notes:

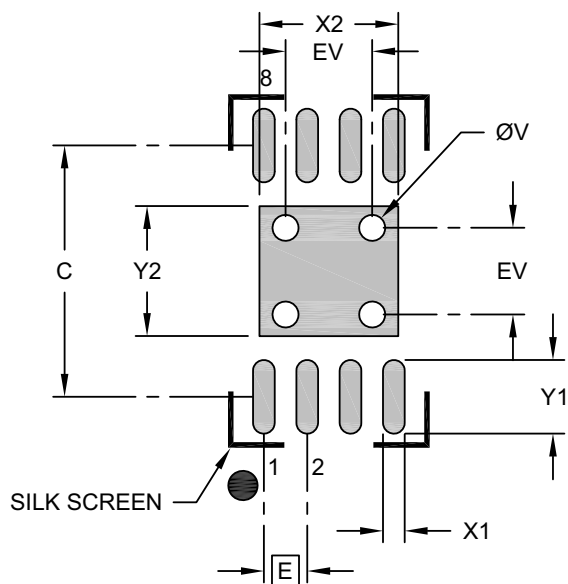
1. Pin 1 visual index feature may vary, but must be located within the hatched area.
2. Package may have one or more exposed tie bars at ends.
3. Package is saw singulated
4. Dimensioning and tolerancing per ASME Y14.5M
  - BSC: Basic Dimension. Theoretically exact value shown without tolerances.
  - REF: Reference Dimension, usually without tolerance, for information purposes only.

Microchip Technology Drawing No. C04-129-MN Rev E Sheet 2 of 2

# 24AA64/24FC64/24LC64

## 8-Lead Plastic Dual Flat, No Lead Package (MN) – 2x3x0.8 mm Body [TDFN] With 1.4x1.3 mm Exposed Pad (JEDEC Package type WDFN)

**Note:** For the most current package drawings, please see the Microchip Packaging Specification located at <http://www.microchip.com/packaging>



RECOMMENDED LAND PATTERN

| Dimension Limits           | Units | MILLIMETERS |      |      |
|----------------------------|-------|-------------|------|------|
|                            |       | MIN         | NOM  | MAX  |
| Contact Pitch              | E     | 0.50 BSC    |      |      |
| Optional Center Pad Width  | X2    |             |      | 1.60 |
| Optional Center Pad Length | Y2    |             |      | 1.50 |
| Contact Pad Spacing        | C     |             | 2.90 |      |
| Contact Pad Width (X8)     | X1    |             |      | 0.25 |
| Contact Pad Length (X8)    | Y1    |             |      | 0.85 |
| Thermal Via Diameter       | V     |             | 0.30 |      |
| Thermal Via Pitch          | EV    |             | 1.00 |      |

**Notes:**

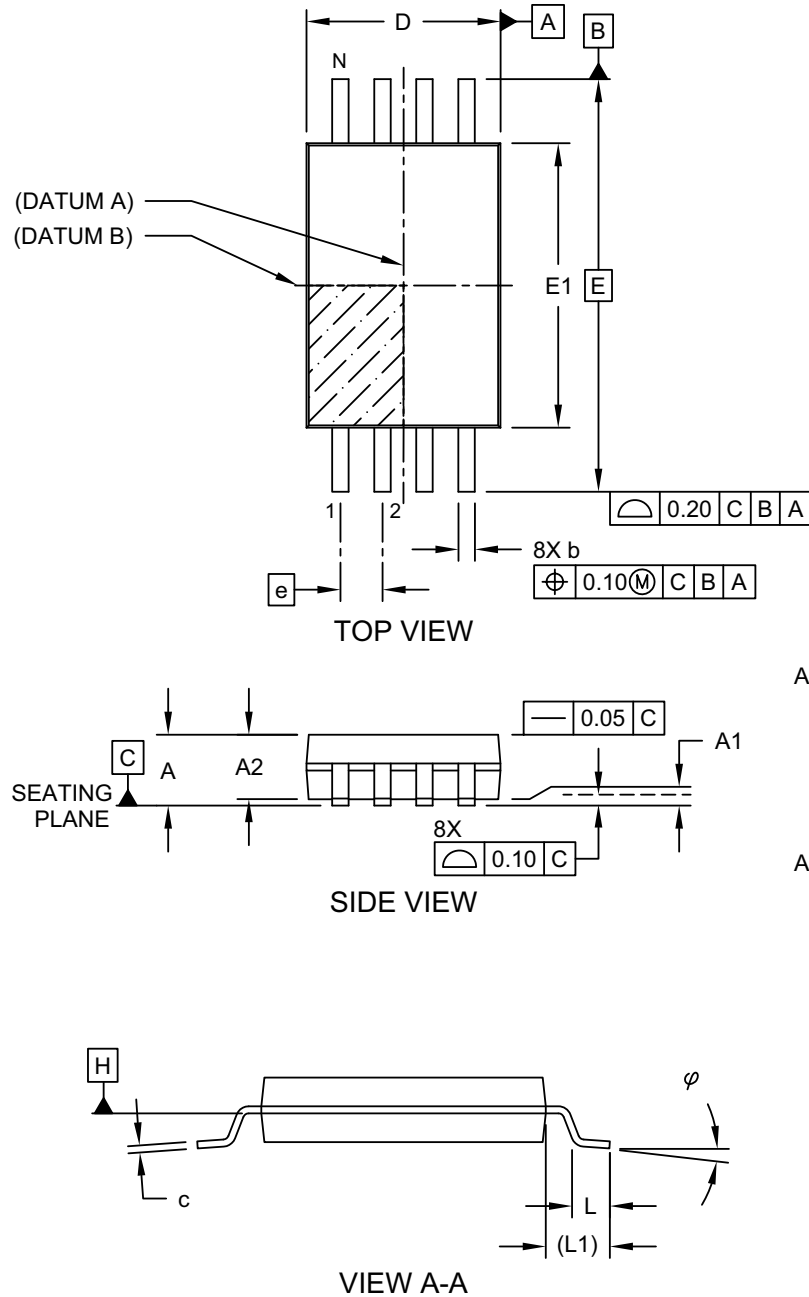
- Dimensioning and tolerancing per ASME Y14.5M  
BSC: Basic Dimension. Theoretically exact value shown without tolerances.
- For best soldering results, thermal vias, if used, should be filled or tented to avoid solder loss during reflow process

Microchip Technology Drawing No. C04-129-MN Rev. B

# 24AA64/24FC64/24LC64

## 8-Lead Plastic Thin Shrink Small Outline (ST) - 4.4 mm Body [TSSOP]

**Note:** For the most current package drawings, please see the Microchip Packaging Specification located at <http://www.microchip.com/packaging>

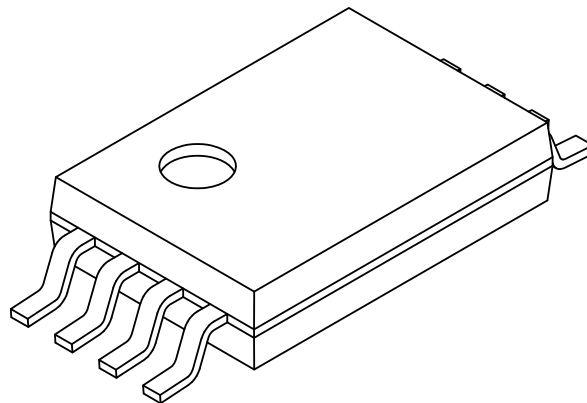


Microchip Technology Drawing C04-086 Rev C Sheet 1 of 2

# 24AA64/24FC64/24LC64

## 8-Lead Plastic Thin Shrink Small Outline (ST) - 4.4 mm Body [TSSOP]

**Note:** For the most current package drawings, please see the Microchip Packaging Specification located at <http://www.microchip.com/packaging>



| Dimension Limits         | Units     | MILLIMETERS |      |      |
|--------------------------|-----------|-------------|------|------|
|                          |           | MIN         | NOM  | MAX  |
| Number of Pins           | N         | 8           |      |      |
| Pitch                    | e         | 0.65 BSC    |      |      |
| Overall Height           | A         | -           | -    | 1.20 |
| Molded Package Thickness | A2        | 0.80        | 1.00 | 1.05 |
| Standoff                 | A1        | 0.05        | -    | -    |
| Overall Width            | E         | 6.40 BSC    |      |      |
| Molded Package Width     | E1        | 4.30        | 4.40 | 4.50 |
| Overall Length           | D         | 2.90        | 3.00 | 3.10 |
| Foot Length              | L         | 0.45        | 0.60 | 0.75 |
| Footprint                | L1        | 1.00 REF    |      |      |
| Lead Thickness           | c         | 0.09        | -    | 0.25 |
| Foot Angle               | $\varphi$ | 0°          | 4°   | 8°   |
| Lead Width               | b         | 0.19        | -    | 0.30 |

**Notes:**

1. Pin 1 visual index feature may vary, but must be located within the hatched area.
2. Dimensions D and E1 do not include mold flash or protrusions. Mold flash or protrusions shall not exceed 0.20mm per side.
3. Dimensioning and tolerancing per ASME Y14.5M

BSC: Basic Dimension. Theoretically exact value shown without tolerances.

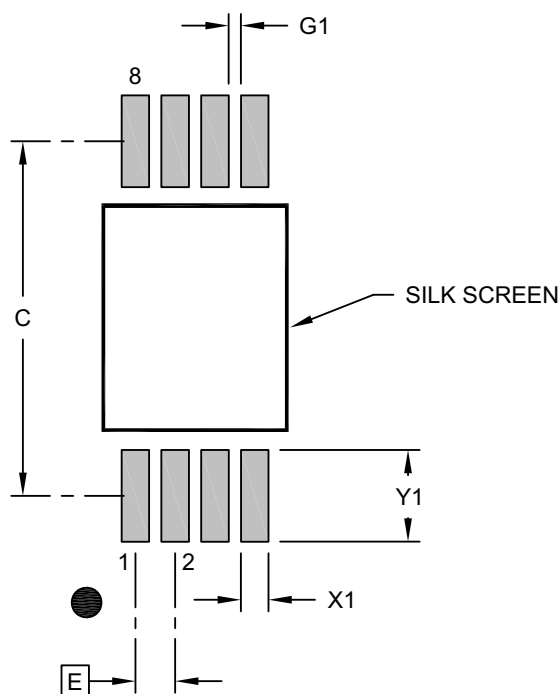
REF: Reference Dimension, usually without tolerance, for information purposes only.

Microchip Technology Drawing C04-086 Rev C Sheet 2 of 2

# 24AA64/24FC64/24LC64

## 8-Lead Plastic Thin Shrink Small Outline (ST) - 4.4 mm Body [TSSOP]

**Note:** For the most current package drawings, please see the Microchip Packaging Specification located at <http://www.microchip.com/packaging>



### RECOMMENDED LAND PATTERN

| Dimension Limits               | Units | MILLIMETERS |      |      |
|--------------------------------|-------|-------------|------|------|
|                                |       | MIN         | NOM  | MAX  |
| Contact Pitch                  | E     | 0.65 BSC    |      |      |
| Contact Pad Spacing            | C     |             | 5.80 |      |
| Contact Pad Width (X8)         | X1    |             |      | 0.45 |
| Contact Pad Length (X8)        | Y1    |             |      | 1.50 |
| Contact Pad to Center Pad (X6) | G1    | 0.20        |      |      |

#### Notes:

- Dimensioning and tolerancing per ASME Y14.5M  
BSC: Basic Dimension. Theoretically exact value shown without tolerances.
- For best soldering results, thermal vias, if used, should be filled or tented to avoid solder loss during reflow process

Microchip Technology Drawing C04-2086 Rev B

# 24AA64/24FC64/24LC64

---

---

## APPENDIX A: REVISION HISTORY

## Revision H (12/2003)

Corrections to Section 1.0, Electrical Characteristics.

## Revision U (03/2022)

Added Product Identification System section for Automotive; Updated DFN, PDIP, SOIC, SOT-23, TDFN and TSSOP package drawings; Added DFN-S product offering; Replaced terminology "Master" and "Slave" with "Host" and "Client", respectively; Replaced "Automotive (E):" designation with "Extended (E):" designation; Reformatted some sections for better readability.

## Revision T (12/2012)

Revised automotive E-temp; Product ID System.

## Revision S (01/2012)

Updated package drawings: Updated Product ID.

## Revision R (03/2010)

Added TSSOP X-Rotated package; Updated package drawings; Updated Product ID.

## Revision Q (06/09)

Revised Features section; Revised Table 1-2, Para. 18; Added note to Table 2-1; Revised SOT-23 package example.

## Revision P (03/2009)

Added 5-lead Chip Scale Package Diagram and Land Pattern; Revised Block Diagram.

## Revision N (03/2009)

Added 5-lead Chip Scale package.

## Revision M (01/2009)

Updated package drawings; Added 8-lead TDFN and 5-lead SOT-23 packages.

## Revision L (03/2007)

Added 24FC64 Part; Revised Device Selection Table; Revised Features section; Deleted Rotated TSSOP Package; Revised Table 1-2; Revised Table 7-1; Revised Package Information; Replaced package drawings; Revised Product ID section.

## Revision K (08/2005)

Revised Sections 7.1 and 7.4.

## Revision J (04/2005)

Added DFN package.

## THE MICROCHIP WEBSITE

Microchip provides online support via our website at [www.microchip.com](http://www.microchip.com). This website is used as a means to make files and information easily available to customers. Accessible by using your favorite Internet browser, the website contains the following information:

- **Product Support** – Data sheets and errata, application notes and sample programs, design resources, user's guides and hardware support documents, latest software releases and archived software
- **General Technical Support** – Frequently Asked Questions (FAQ), technical support requests, online discussion groups, Microchip consultant program member listing
- **Business of Microchip** – Product selector and ordering guides, latest Microchip press releases, listing of seminars and events, listings of Microchip sales offices, distributors and factory representatives

## CUSTOMER CHANGE NOTIFICATION SERVICE

Microchip's customer notification service helps keep customers current on Microchip products. Subscribers will receive e-mail notification whenever there are changes, updates, revisions or errata related to a specified product family or development tool of interest.

To register, access the Microchip website at [www.microchip.com](http://www.microchip.com). Under "Support", click on "Customer Change Notification" and follow the registration instructions.

## CUSTOMER SUPPORT

Users of Microchip products can receive assistance through several channels:

- Distributor or Representative
- Local Sales Office
- Field Application Engineer (FAE)
- Technical Support

Customers should contact their distributor, representative or Field Application Engineer (FAE) for support. Local sales offices are also available to help customers. A listing of sales offices and locations is included in the back of this document.

**Technical support is available through the website at: <http://microchip.com/support>**

# 24AA64/24FC64/24LC64

## PRODUCT IDENTIFICATION SYSTEM (NON-AUTOMOTIVE)

To order or obtain information, e.g., on pricing or delivery, refer to the factory or the listed sales office.

| <b>PART NO.</b>              | <b>X<sup>(1)</sup></b>  | <b>-X</b>   | <b>XX</b>      | <b>Examples</b>  |
|------------------------------|---|---|----------------|--|
| <b>Device</b>                | <b>Tape and Reel Option</b>   | <b>Temperature Range</b>  | <b>Package</b> |  |
| <b>Device:</b>               |   |   |                |  |
| 24AA64                       | =   | 1.7V, 64-Kbit I <sup>2</sup> C Serial EEPROM                                |                | a) 24AA64-I/P: 64-Kbit I <sup>2</sup> C Serial EEPROM, Industrial temp., PDIP package.   |
| 24AA64X                      | =   | 1.7V, 64-Kbit I <sup>2</sup> C Serial EEPROM in alternate pin-out (ST only) |                | b) 24AA64-I/SN: 64-Kbit I <sup>2</sup> C Serial EEPROM, Industrial temp., SOIC package.  |
| 24FC64                       | =   | 1.7V, 64-Kbit I <sup>2</sup> C Serial EEPROM                                |                | c) 24AA64-I/SM: 64-Kbit I <sup>2</sup> C Serial EEPROM, Industrial temp., SOIJ package.  |
| 24LC64                       | =   | 2.5V, 64-Kbit I <sup>2</sup> C Serial EEPROM                                |                | d) 24AA64T-I/ST: 64-Kbit I <sup>2</sup> C Serial EEPROM, Tape and Reel, Industrial temp., TSSOP package.   |
| 24LC64X                      | =   | 2.5V, 64-Kbit I <sup>2</sup> C Serial EEPROM in alternate pinout (ST only)  |                | e) 24LC64-I/P: 64-Kbit I <sup>2</sup> C Serial EEPROM, Industrial temp., PDIP package.   |
|                              |   |   |                | f) 24LC64-E/SN: 64-Kbit I <sup>2</sup> C Serial EEPROM, Extended temp., SOIC package.  |
|                              |   |   |                | g) 24LC64-E/SM: 64-Kbit I <sup>2</sup> C Serial EEPROM, Extended temp., SOIJ package.  |
|                              |   |   |                | h) 24LC64-I/ST: 64-Kbit I <sup>2</sup> C Serial EEPROM, Industrial temp., TSSOP package.   |
|                              |   |   |                | i) 24AA64T-I/CS16K: 64-Kbit I <sup>2</sup> C Serial EEPROM, Tape and Reel, Industrial temp., CS package.   |
|                              |   |   |                | j) 24AA64T-E/SN: 64-Kbit I <sup>2</sup> C Serial EEPROM, Tape and Reel, Extended temp., SOIC package.  |
| <b>Tape and Reel Option:</b> | Blank = Standard packaging (tube)<br>T = Tape and Reel <sup>(1)</sup> |   |                |  |
| <b>Temperature Range:</b>    | I = -40°C to +85°C (Industrial)<br>E = -40°C to +125°C (Extended)     |   |                |  |
| <b>Package:</b>              |   |   |                |  |
| CS16K <sup>(2)</sup>         | =   | Chip Scale Package – 5-Lead (CS) (Tape and Reel only)                       |                | <b>Note 1:</b> Tape and Reel identifier only appears in the catalog part number description. This identifier is used for ordering purposes and is not printed on the device package. Check with your Microchip Sales Office for package availability with the Tape and Reel option.<br><br><b>2:</b> “16K” indicates 160K technology |
| MC                           | =   | Plastic Dual Flat, No Lead – 2x3x1 mm Body, 8-Lead (DFN)                    |                |  |
| MF                           | =   | Plastic Dual Flat, No Lead – 6x5 mm Body, 8-Lead (DFN-S)                    |                |  |
| MS                           | =   | Plastic Micro Small Outline – 8-Lead (MSOP)                                 |                |  |
| P                            | =   | Plastic Dual In-Line – 300 mil Body, 8-Lead (PDIP)                          |                |  |
| SN                           | =   | Plastic Small Outline - Narrow, 3.90 mm Body, 8-Lead (SOIC)                 |                |  |
| SM                           | =   | Plastic Small Outline - Medium, 5.28 mm Body, 8-Lead (SOIJ)                 |                |  |
| OT                           | =   | Plastic Small Outline Transistor – 5-Lead (SOT-23) (Tape and Reel only)     |                |  |
| MNY                          | =   | Plastic Dual Flat, No Lead Package – 2x3x0.8 mm Body, 8-Lead (TDFN)         |                |  |
| ST                           | =   | Plastic Thin Shrink Small Outline – 4.4 mm Body, 8-Lead (TSSOP)             |                |  |



# 24AA64/24FC64/24LC64

## PRODUCT IDENTIFICATION SYSTEM (AUTOMOTIVE)

To order or obtain information, e.g., on pricing or delivery, refer to the factory or the listed sales office.

| <b>PART NO.</b>                 | <b>X<sup>(1)</sup></b>      | <b>-X</b>                | <b>/XX</b>  | <b>XXX<sup>(2,3)</sup></b> | <b>Examples</b>  |
|---------------------------------|-----------------------------|--------------------------|---|----------------------------|--|
| <b>Device</b>                   | <b>Tape and Reel Option</b> | <b>Temperature Range</b> | <b>Package</b>  | <b>Variant</b>             |  |
| <b>Device:</b>                  | 24AA64                      | =                        | 1.7V, 64-Kbit I <sup>2</sup> C Serial EEPROM                            |                            | a) 24LC64T-E/SN16KVAO: 2.5V, 64-Kbit I <sup>2</sup> C Serial EEPROM, Automotive Grade 1, Tape and Reel, SOIC package.  |
|                                 | 24LC64                      | =                        | 2.5V, 64-Kbit I <sup>2</sup> C Serial EEPROM                            |                            | b) 24LC64T-I/ST16KVAO: 2.5V, 64-Kbit I <sup>2</sup> C Serial EEPROM, Automotive Grade 3, Tape and Reel, TSSOP package.   |
|                                 |                             |                          |   |                            | c) 24AA64T-E/MNY16KVAO: 1.7V, 64-Kbit I <sup>2</sup> C Serial EEPROM, Automotive Grade 1, Tape and Reel, TDFN package.   |
|                                 |                             |                          |   |                            | d) 24LC64T-E/OT16KVAO: 2.5V, 64-Kbit I <sup>2</sup> C Serial EEPROM, Automotive Grade 1, Tape and Reel, SOT-23 package.  |
| <b>Tape and Reel Option:</b>    | Blank                       | =                        | Standard packaging (tube)   |                            | <b>Note 1:</b> Tape and Reel identifier only appears in the catalog part number description. This identifier is used for ordering purposes and is not printed on the device package. Check with your Microchip Sales Office for package availability with the Tape and Reel option.<br><b>2:</b> The VAO/XXX automotive variants have been designed, manufactured, tested and qualified in accordance with AEC-Q100 requirements for automotive applications.<br><b>3:</b> For customers requesting a PPAP, a customer-specific part number will be generated and provided. A PPAP is not provided for VAO part numbers.<br><b>4:</b> Not recommended for new designs. |
|                                 | T                           | =                        | Tape and Reel <sup>(1)</sup>  |                            |  |
| <b>Temperature Range:</b>       | I                           | =                        | -40°C to +85°C (AEC-Q100 Grade 3)                                       |                            |  |
|                                 | E                           | =                        | -40°C to +125°C (AEC-Q100 Grade 1)                                      |                            |  |
| <b>Package:</b>                 | MS                          | =                        | Plastic Micro Small Outline – 8-Lead (MSOP)                             |                            |  |
|                                 | SN                          | =                        | Plastic Small Outline - Narrow, 3.90 mm (.150 In) Body, 8-Lead (SOIC)   |                            |  |
|                                 | OT                          | =                        | Plastic Small Outline Transistor – 5-Lead (SOT-23) (Tape and Reel only) |                            |  |
|                                 | ST                          | =                        | Plastic Thin Shrink Small Outline – 4x4 mm Body, 8-Lead (TSSOP)         |                            |  |
|                                 | MNY                         | =                        | Plastic Dual Flat, No Lead Package – 2x3x0.8 mm Body, 8-Lead (TDFN)     |                            |  |
| <b>Variant:<sup>(2,3)</sup></b> | 15KVAO                      | =                        | Standard Automotive, 15K Process <sup>(4)</sup>                         |                            |  |
|                                 | 15KVXX                      | =                        | Customer-Specific Automotive, 15K Process <sup>(4)</sup>                |                            |  |
|                                 | 16KVAO                      | =                        | Standard Automotive, 16K Process  |                            |  |
|                                 | 16KVXX                      | =                        | Customer-Specific Automotive, 16K Process                               |                            |  |

---

---

**Note the following details of the code protection feature on Microchip products:**

- Microchip products meet the specifications contained in their particular Microchip Data Sheet.
- Microchip believes that its family of products is secure when used in the intended manner, within operating specifications, and under normal conditions.
- Microchip values and aggressively protects its intellectual property rights. Attempts to breach the code protection features of Microchip product is strictly prohibited and may violate the Digital Millennium Copyright Act.
- Neither Microchip nor any other semiconductor manufacturer can guarantee the security of its code. Code protection does not mean that we are guaranteeing the product is “unbreakable”. Code protection is constantly evolving. Microchip is committed to continuously improving the code protection features of our products.

This publication and the information herein may be used only with Microchip products, including to design, test, and integrate Microchip products with your application. Use of this information in any other manner violates these terms. Information regarding device applications is provided only for your convenience and may be superseded by updates. It is your responsibility to ensure that your application meets with your specifications. Contact your local Microchip sales office for additional support or, obtain additional support at <https://www.microchip.com/en-us/support/design-help/client-support-services>.

THIS INFORMATION IS PROVIDED BY MICROCHIP "AS IS". MICROCHIP MAKES NO REPRESENTATIONS OR WARRANTIES OF ANY KIND WHETHER EXPRESS OR IMPLIED, WRITTEN OR ORAL, STATUTORY OR OTHERWISE, RELATED TO THE INFORMATION INCLUDING BUT NOT LIMITED TO ANY IMPLIED WARRANTIES OF NON-INFRINGEMENT, MERCHANTABILITY, AND FITNESS FOR A PARTICULAR PURPOSE, OR WARRANTIES RELATED TO ITS CONDITION, QUALITY, OR PERFORMANCE.

IN NO EVENT WILL MICROCHIP BE LIABLE FOR ANY INDIRECT, SPECIAL, PUNITIVE, INCIDENTAL, OR CONSEQUENTIAL LOSS, DAMAGE, COST, OR EXPENSE OF ANY KIND WHATSOEVER RELATED TO THE INFORMATION OR ITS USE, HOWEVER CAUSED, EVEN IF MICROCHIP HAS BEEN ADVISED OF THE POSSIBILITY OR THE DAMAGES ARE FORESEEABLE. TO THE FULLEST EXTENT ALLOWED BY LAW, MICROCHIP'S TOTAL LIABILITY ON ALL CLAIMS IN ANY WAY RELATED TO THE INFORMATION OR ITS USE WILL NOT EXCEED THE AMOUNT OF FEES, IF ANY, THAT YOU HAVE PAID DIRECTLY TO MICROCHIP FOR THE INFORMATION.

Use of Microchip devices in life support and/or safety applications is entirely at the buyer's risk, and the buyer agrees to defend, indemnify and hold harmless Microchip from any and all damages, claims, suits, or expenses resulting from such use. No licenses are conveyed, implicitly or otherwise, under any Microchip intellectual property rights unless otherwise stated.

For information regarding Microchip's Quality Management Systems, please visit [www.microchip.com/quality](http://www.microchip.com/quality).

**Trademarks**

The Microchip name and logo, the Microchip logo, Adaptec, AnyRate, AVR, AVR logo, AVR Freaks, BesTime, BitCloud, CryptoMemory, CryptoRF, dsPIC, flexPWR, HELDO, IGLOO, JukeBlox, KeeLoq, Klear, LANCheck, LinkMD, maXStylus, maXTouch, MediaLB, megaAVR, Microsemi, Microsemi logo, MOST, MOST logo, MPLAB, OptoLyzer, PIC, picoPower, PICSTART, PIC32 logo, PolarFire, Prochip Designer, QTouch, SAM-BA, SenGenuity, SpyNIC, SST, SST Logo, SuperFlash, Symmetricom, SyncServer, Tachyon, TimeSource, tinyAVR, UNI/O, Vectron, and XMEGA are registered trademarks of Microchip Technology Incorporated in the U.S.A. and other countries.

AgileSwitch, APT, ClockWorks, The Embedded Control Solutions Company, EtherSynch, Flashtec, Hyper Speed Control, HyperLight Load, IntelliMOS, Libero, motorBench, mTouch, Powermite 3, Precision Edge, ProASIC, ProASIC Plus, ProASIC Plus logo, QuietWire, SmartFusion, SyncWorld, Temux, TimeCesium, TimeHub, TimePictra, TimeProvider, TrueTime, WinPath, and ZL are registered trademarks of Microchip Technology Incorporated in the U.S.A.

Adjacent Key Suppression, AKS, Analog-for-the-Digital Age, Any Capacitor, AnyIn, AnyOut, Augmented Switching, BlueSky, BodyCom, CodeGuard, CryptoAuthentication, CryptoAutomotive, CryptoCompanion, CryptoController, dsPICDEM, dsPICDEM.net, Dynamic Average Matching, DAM, ECAN, Espresso T1S, EtherGREEN, GridTime, IdealBridge, In-Circuit Serial Programming, ICSP, INICnet, Intelligent Paralleling, Inter-Chip Connectivity, JitterBlocker, Knob-on-Display, maxCrypto, maxView, memBrain, Mindi, MiWi, MPASM, MPF, MPLAB Certified logo, MPLIB, MPLINK, MultiTRAK, NetDetach, NVM Express, NVMe, Omniscient Code Generation, PICDEM, PICDEM.net, PICKit, PICtail, PowerSmart, PureSilicon, QMatrix, REAL ICE, Ripple Blocker, RTAX, RTG4, SAM-ICE, Serial Quad I/O, simpleMAP, SimpliPHY, SmartBuffer, SmartHLS, SMART-I.S., storClad, SQL, SuperSwitcher, SuperSwitcher II, Switchtec, SynchroPHY, Total Endurance, TSHARC, USBCheck, VariSense, VectorBlox, VeriPHY, ViewSpan, WiperLock, XpressConnect, and ZENA are trademarks of Microchip Technology Incorporated in the U.S.A. and other countries.

SQTP is a service mark of Microchip Technology Incorporated in the U.S.A.

The Adaptec logo, Frequency on Demand, Silicon Storage Technology, Symmcom, and Trusted Time are registered trademarks of Microchip Technology Inc. in other countries.

GestIC is a registered trademark of Microchip Technology Germany II GmbH & Co. KG, a subsidiary of Microchip Technology Inc., in other countries.

All other trademarks mentioned herein are property of their respective companies.

© 1997-2022, Microchip Technology Incorporated and its subsidiaries.

All Rights Reserved.

ISBN: 978-1-5224-9792-9



# MICROCHIP

## Worldwide Sales and Service

### AMERICAS

**Corporate Office**  
2355 West Chandler Blvd.  
Chandler, AZ 85224-6199  
Tel: 480-792-7200  
Fax: 480-792-7277  
Technical Support:  
<http://www.microchip.com/support>  
Web Address:  
[www.microchip.com](http://www.microchip.com)

#### Atlanta

Duluth, GA  
Tel: 678-957-9614  
Fax: 678-957-1455

#### Austin, TX

Tel: 512-257-3370

#### Boston

Westborough, MA  
Tel: 774-760-0087  
Fax: 774-760-0088

#### Chicago

Itasca, IL  
Tel: 630-285-0071  
Fax: 630-285-0075

#### Dallas

Addison, TX  
Tel: 972-818-7423  
Fax: 972-818-2924

#### Detroit

Novi, MI  
Tel: 248-848-4000

#### Houston, TX

Tel: 281-894-5983

#### Indianapolis

Noblesville, IN  
Tel: 317-773-8323  
Fax: 317-773-5453  
Tel: 317-536-2380

#### Los Angeles

Mission Viejo, CA  
Tel: 949-462-9523  
Fax: 949-462-9608  
Tel: 951-273-7800

#### Raleigh, NC

Tel: 919-844-7510

#### New York, NY

Tel: 631-435-6000

#### San Jose, CA

Tel: 408-735-9110  
Tel: 408-436-4270

#### Canada - Toronto

Tel: 905-695-1980  
Fax: 905-695-2078

### ASIA/PACIFIC

**Australia - Sydney**  
Tel: 61-2-9868-6733

**China - Beijing**  
Tel: 86-10-8569-7000

**China - Chengdu**  
Tel: 86-28-8665-5511

**China - Chongqing**  
Tel: 86-23-8980-9588

**China - Dongguan**  
Tel: 86-769-8702-9880

**China - Guangzhou**  
Tel: 86-20-8755-8029

**China - Hangzhou**  
Tel: 86-571-8792-8115

**China - Hong Kong SAR**  
Tel: 852-2943-5100

**China - Nanjing**  
Tel: 86-25-8473-2460

**China - Qingdao**  
Tel: 86-532-8502-7355

**China - Shanghai**  
Tel: 86-21-3326-8000

**China - Shenyang**  
Tel: 86-24-2334-2829

**China - Shenzhen**  
Tel: 86-755-8864-2200

**China - Suzhou**  
Tel: 86-186-6233-1526

**China - Wuhan**  
Tel: 86-27-5980-5300

**China - Xian**  
Tel: 86-29-8833-7252

**China - Xiamen**  
Tel: 86-592-2388138

**China - Zhuhai**  
Tel: 86-756-3210040

### ASIA/PACIFIC

**India - Bangalore**  
Tel: 91-80-3090-4444

**India - New Delhi**  
Tel: 91-11-4160-8631

**India - Pune**  
Tel: 91-20-4121-0141

**Japan - Osaka**  
Tel: 81-6-6152-7160

**Japan - Tokyo**  
Tel: 81-3-6880-3770

**Korea - Daegu**  
Tel: 82-53-744-4301

**Korea - Seoul**  
Tel: 82-2-554-7200

**Malaysia - Kuala Lumpur**  
Tel: 60-3-7651-7906

**Malaysia - Penang**  
Tel: 60-4-227-8870

**Philippines - Manila**  
Tel: 63-2-634-9065

**Singapore**  
Tel: 65-6334-8870

**Taiwan - Hsin Chu**  
Tel: 886-3-577-8366

**Taiwan - Kaohsiung**  
Tel: 886-7-213-7830

**Taiwan - Taipei**  
Tel: 886-2-2508-8600

**Thailand - Bangkok**  
Tel: 66-2-694-1351

**Vietnam - Ho Chi Minh**  
Tel: 84-28-5448-2100

### EUROPE

**Austria - Wels**  
Tel: 43-7242-2244-39  
Fax: 43-7242-2244-393

**Denmark - Copenhagen**  
Tel: 45-4485-5910  
Fax: 45-4485-2829

**Finland - Espoo**  
Tel: 358-9-4520-820

**France - Paris**  
Tel: 33-1-69-53-63-20  
Fax: 33-1-69-30-90-79

**Germany - Garching**  
Tel: 49-8931-9700

**Germany - Haan**  
Tel: 49-2129-3766400

**Germany - Heilbronn**  
Tel: 49-7131-72400

**Germany - Karlsruhe**  
Tel: 49-721-625370

**Germany - Munich**  
Tel: 49-89-627-144-0  
Fax: 49-89-627-144-44

**Germany - Rosenheim**  
Tel: 49-8031-354-560

**Israel - Ra'anana**  
Tel: 972-9-744-7705

**Italy - Milan**  
Tel: 39-0331-742611  
Fax: 39-0331-466781

**Italy - Padova**  
Tel: 39-049-7625286

**Netherlands - Drunen**  
Tel: 31-416-690399  
Fax: 31-416-690340

**Norway - Trondheim**  
Tel: 47-7288-4388

**Poland - Warsaw**  
Tel: 48-22-3325737

**Romania - Bucharest**  
Tel: 40-21-407-87-50

**Spain - Madrid**  
Tel: 34-91-708-08-90  
Fax: 34-91-708-08-91

**Sweden - Gothenberg**  
Tel: 46-31-704-60-40

**Sweden - Stockholm**  
Tel: 46-8-5090-4654

**UK - Wokingham**  
Tel: 44-118-921-5800  
Fax: 44-118-921-5820

# Mouser Electronics

Authorized Distributor

Click to View Pricing, Inventory, Delivery & Lifecycle Information:

[Microchip:](#)

[24LC64XT-E/ST](#) [24LC64-I/ST](#) [24LC64-I/SN](#) [24LC64-I/SM](#) [24LC64-I/MS](#) [24AA64XT/ST](#) [24LC64-I/SNG](#) [24LC64-I/STG](#) [24AA64T-I/SN](#) [24AA64T-I/SM](#) [24AA64T-I/ST](#) [24AA64T-I/SNG](#) [24LC64X-I/ST](#) [24LC64T-E/ST](#) [24LC64T-E/SN](#) [24LC64T-E/MS](#) [24LC64T-E/SM](#) [24AA64-I/P](#) [24LC64-I/P](#) [24LC64T-I/MS](#) [24LC64T-I/ST](#) [24LC64T-I/SN](#) [24LC64-E/ST](#) [24LC64-E/SM](#) [24LC64-E/SN](#) [24AA64/SN](#) [24LC64X-E/ST](#) [24LC64-E/MS](#) [24LC64XT-I/ST](#) [24AA64/P](#) [24AA64X/ST](#) [24AA64T-I/MS](#) [24AA64T/SN](#) [24AA64-I/SN](#) [24AA64-I/SM](#) [24AA64-I/MS](#) [24AA64-I/ST](#) [24LC64-E/P](#) [24AA64X-I/ST](#) [24AA64XT-I/ST](#) [24AA64T-I/CS16K](#) [24AA64T-I/MC](#) [24LC64T-I/MC](#) [24LC64T-I/SM](#) [24FC64-I/MC](#) [24FC64-I/MF](#) [24FC64-I/MS](#) [24FC64-I/P](#) [24FC64-I/SM](#) [24FC64-I/SN](#) [24FC64-I/ST](#) [24FC64T-I/MC](#) [24FC64T-I/MF](#) [24FC64T-I/MS](#) [24FC64T-I/SM](#) [24FC64T-I/SN](#) [24FC64T-I/ST](#) [24AA64T-I/MNY](#) [24LC64T-I/OT](#) [24LC64T-I/MNY](#) [24FC64T-I/OT](#) [24FC64T-I/MNY](#) [24AA64T-I/OT](#) [24LC64T-E/MNY](#) [24LC64T-E/OT](#) [24AA64-E/P](#) [24AA64T-E/ST](#) [24AA64-E/SN](#) [24AA64-E/MS](#) [24AA64-E/ST](#) [24AA64T-E/SM](#) [24AA64T-E/MS](#) [24AA64T-E/SN](#) [24AA64-E/SM](#) [24AA64T-E/OT](#) [24AA64T-E/MNY](#) [24LC64-I/W15K](#) [24AA64-I/S16K](#) [24AA64-I/W16K](#) [24AA64-I/WF16K](#) [24AA64/S15K](#)